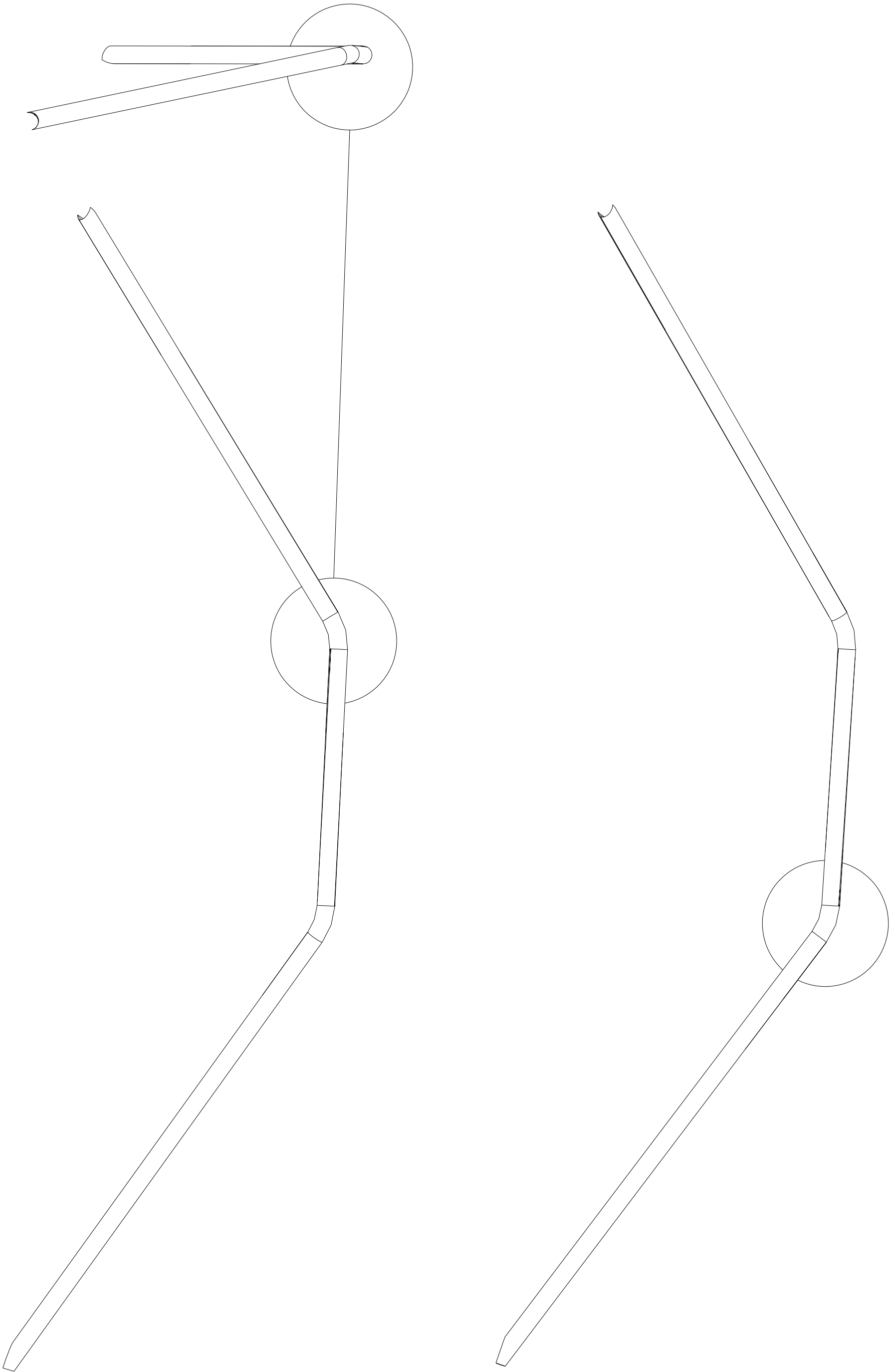
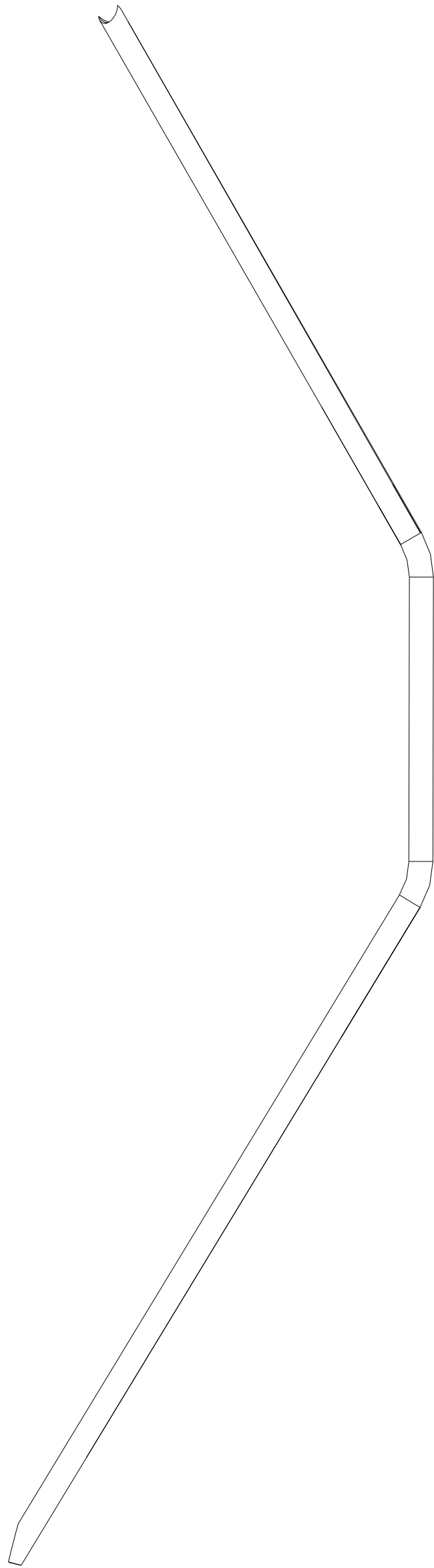
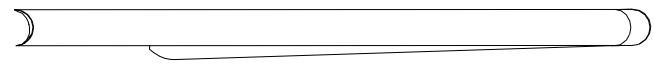


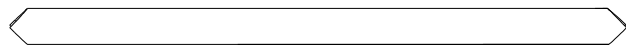
Drivers side



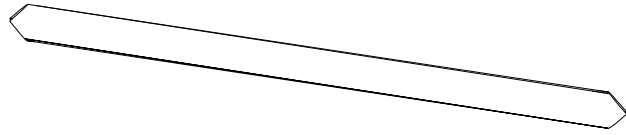
Passenger Side

Only slightly out of plane





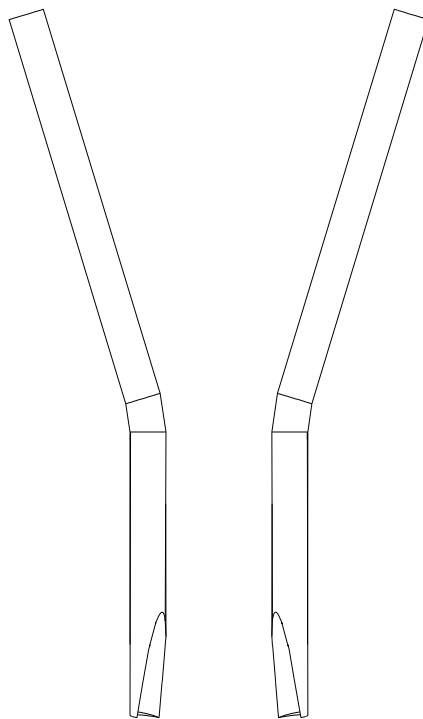
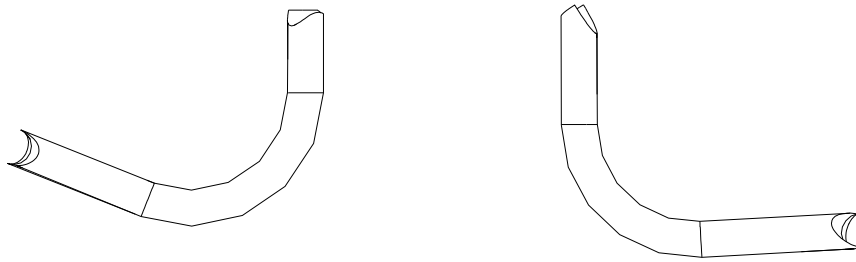
b pillar



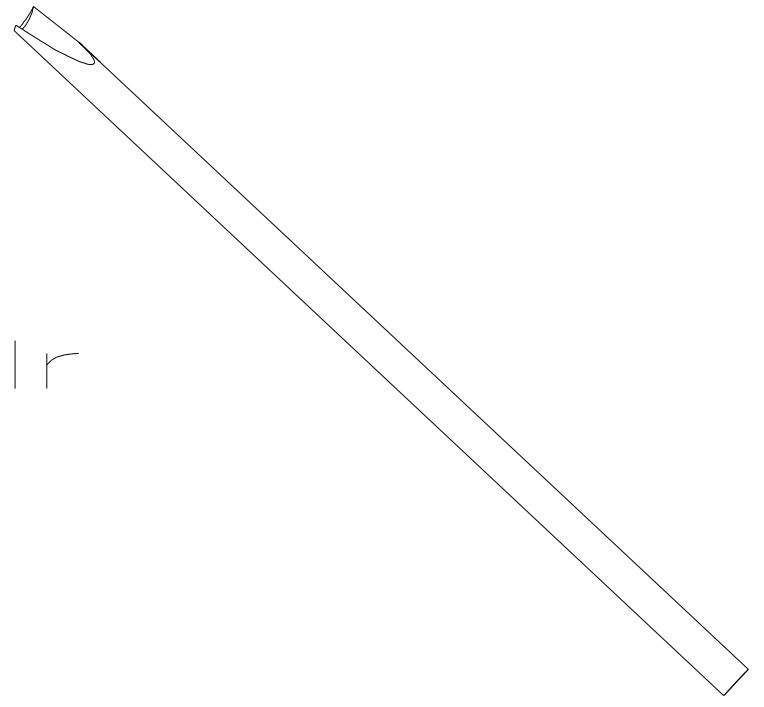
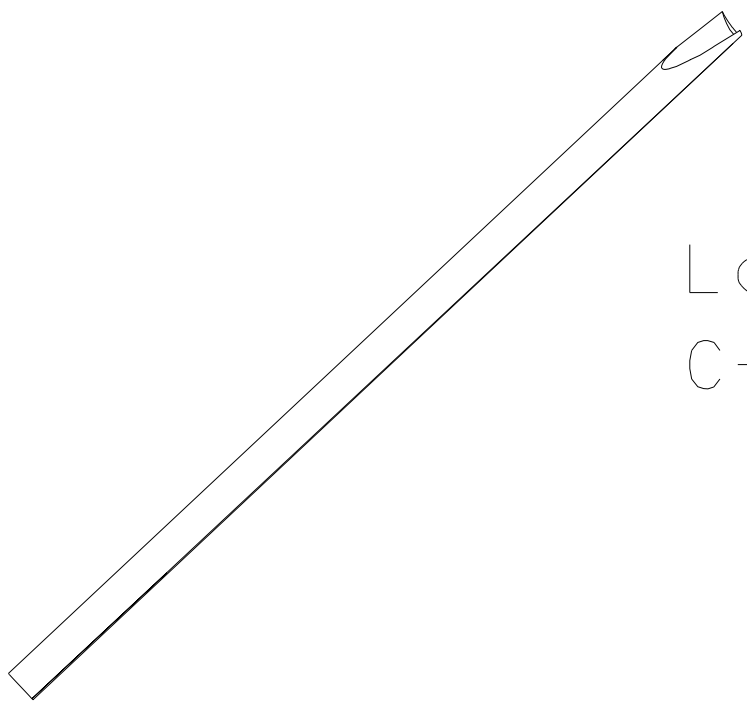
eye brow



between shocks



Front Lower braces



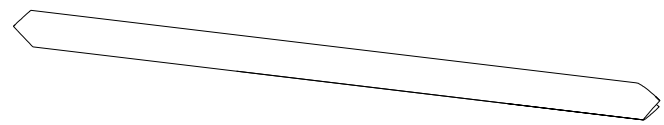
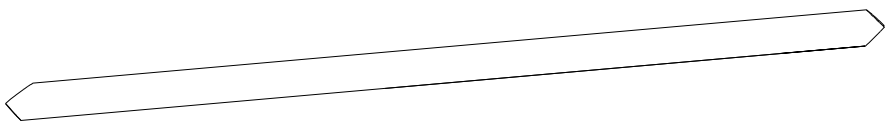
Lower
C-Pillar



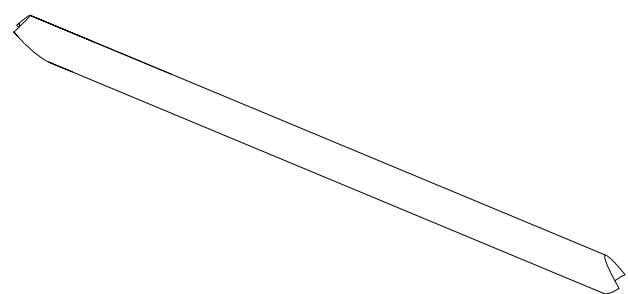
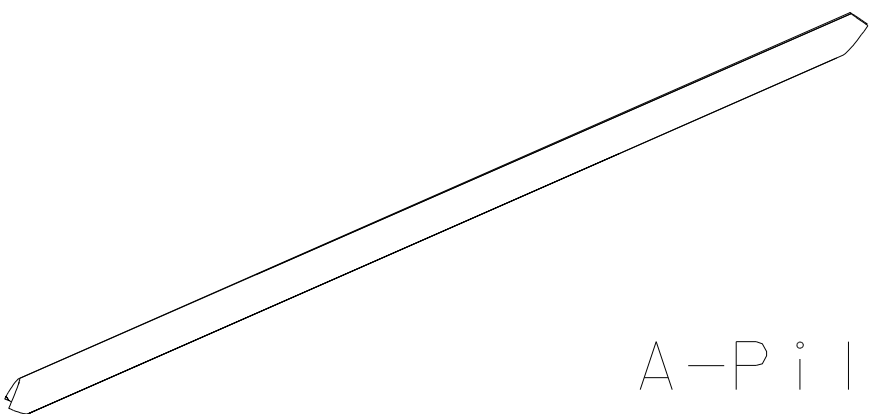
B-Pillars



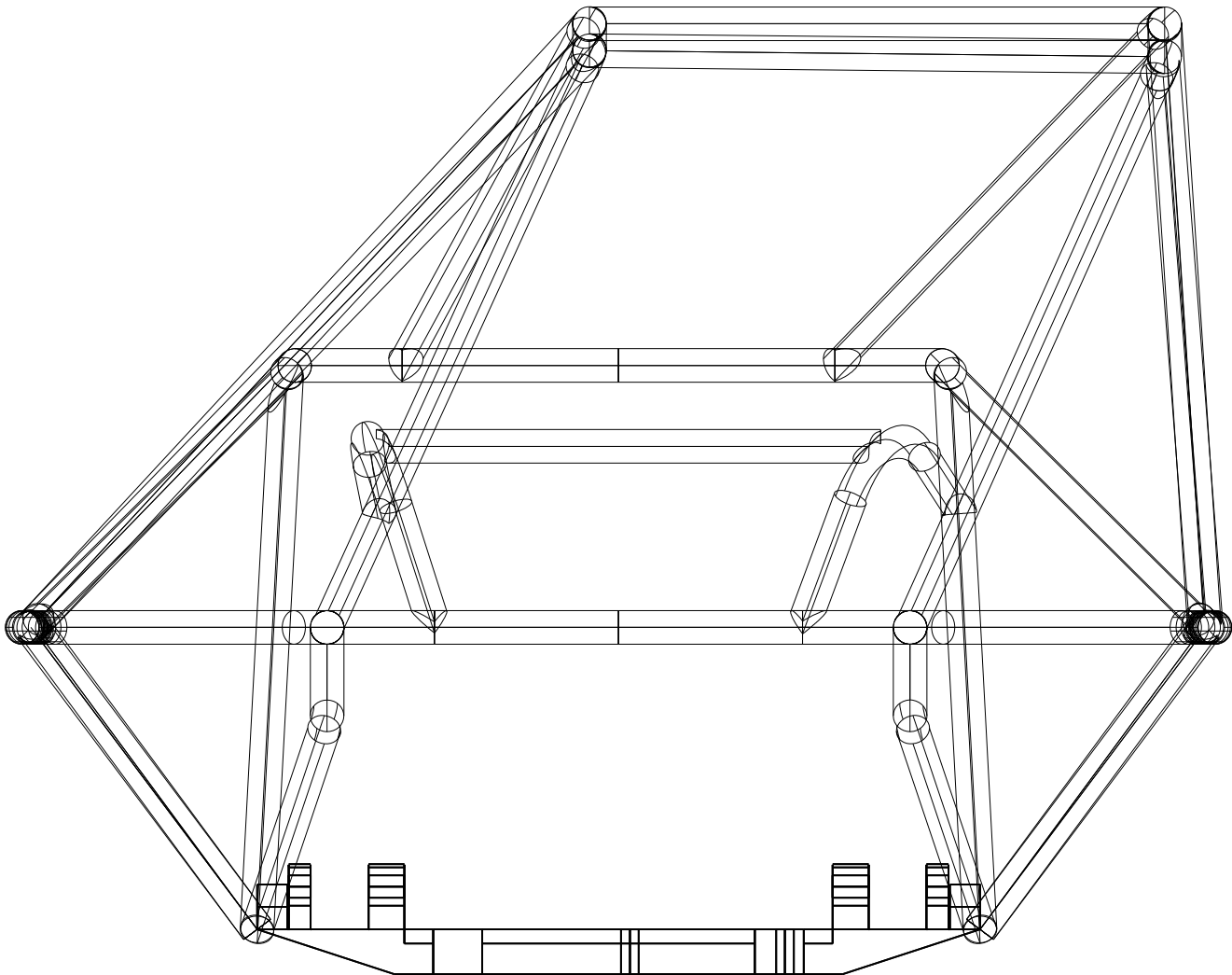
A-Pillars

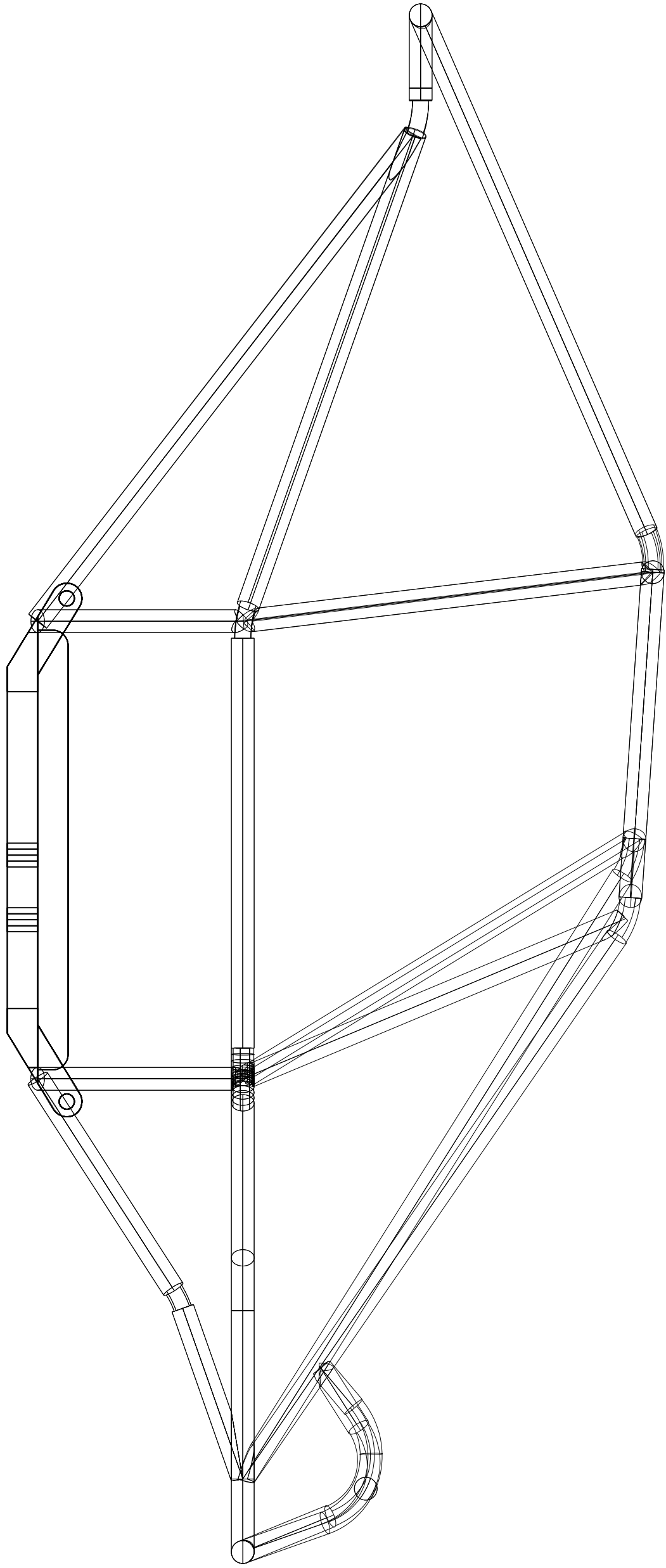


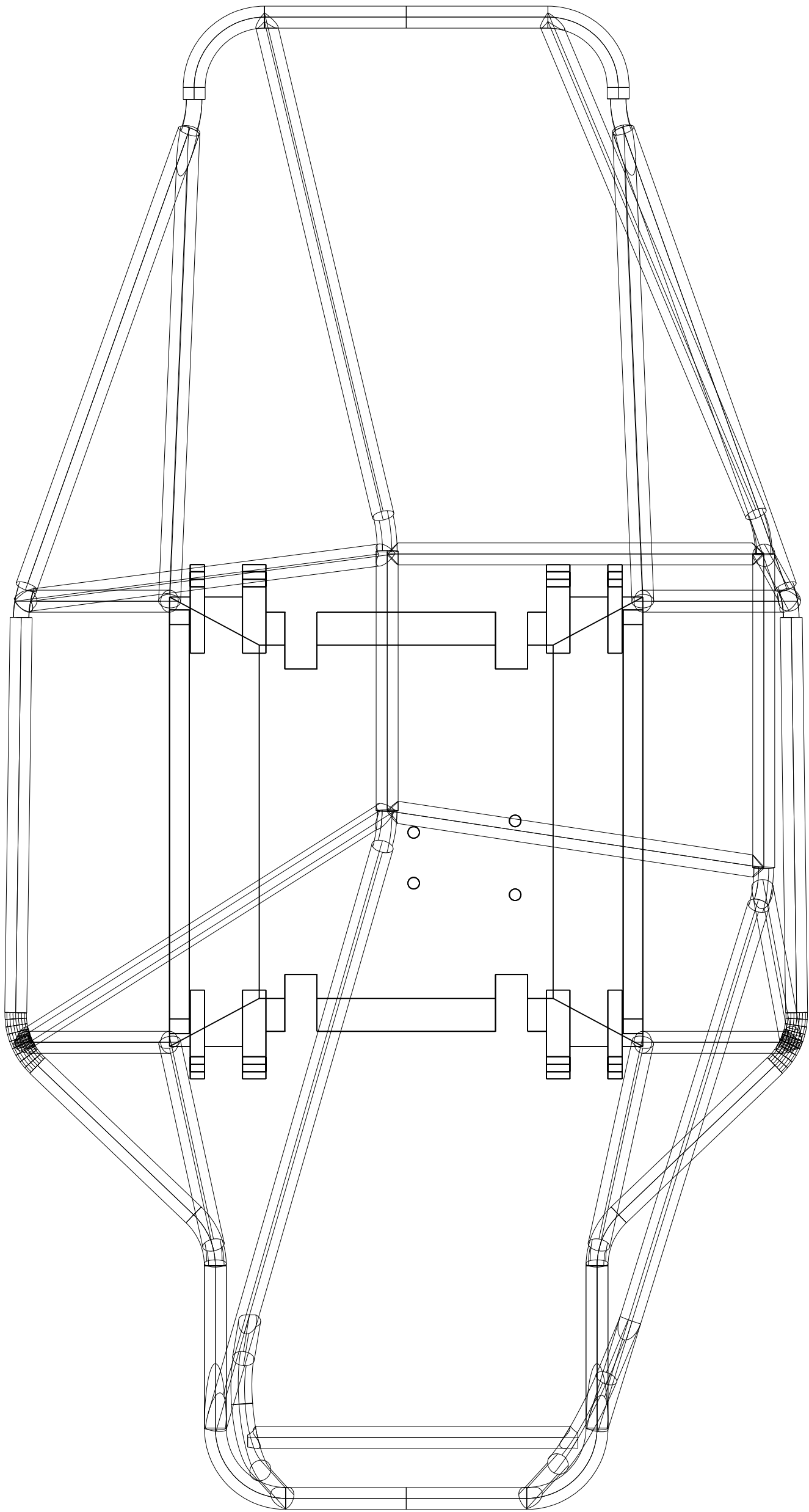
B-Pillars

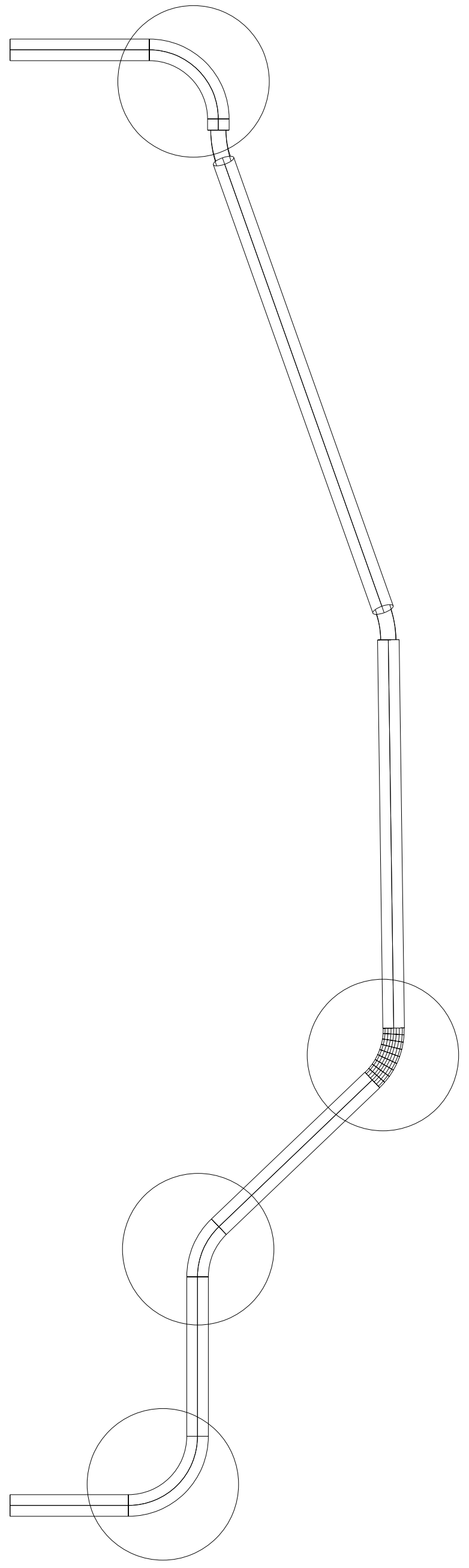
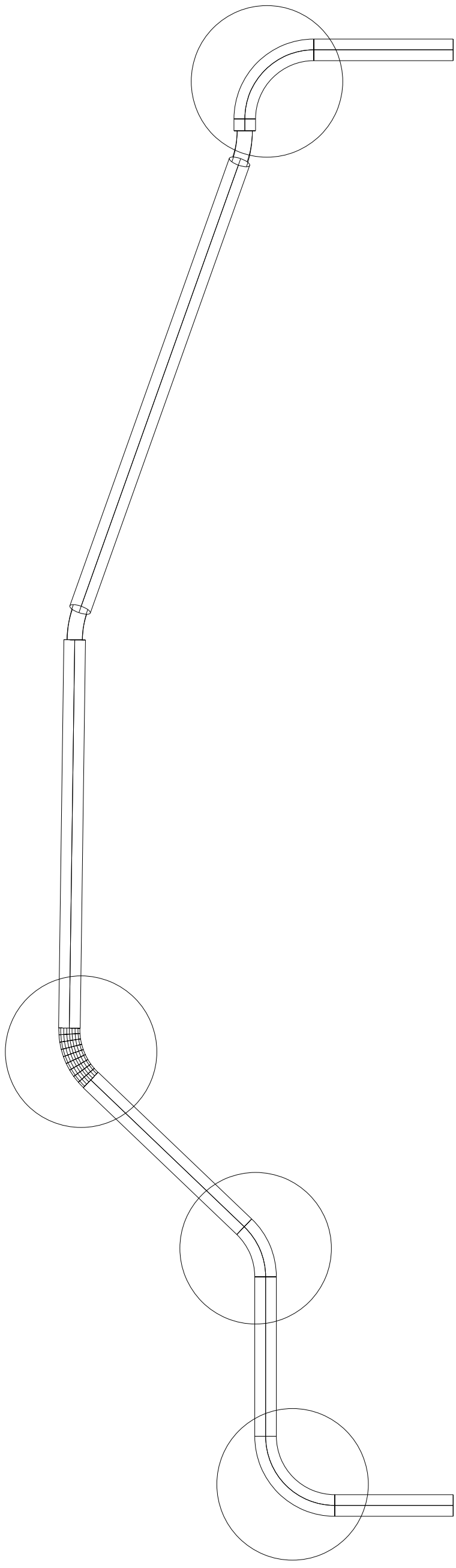


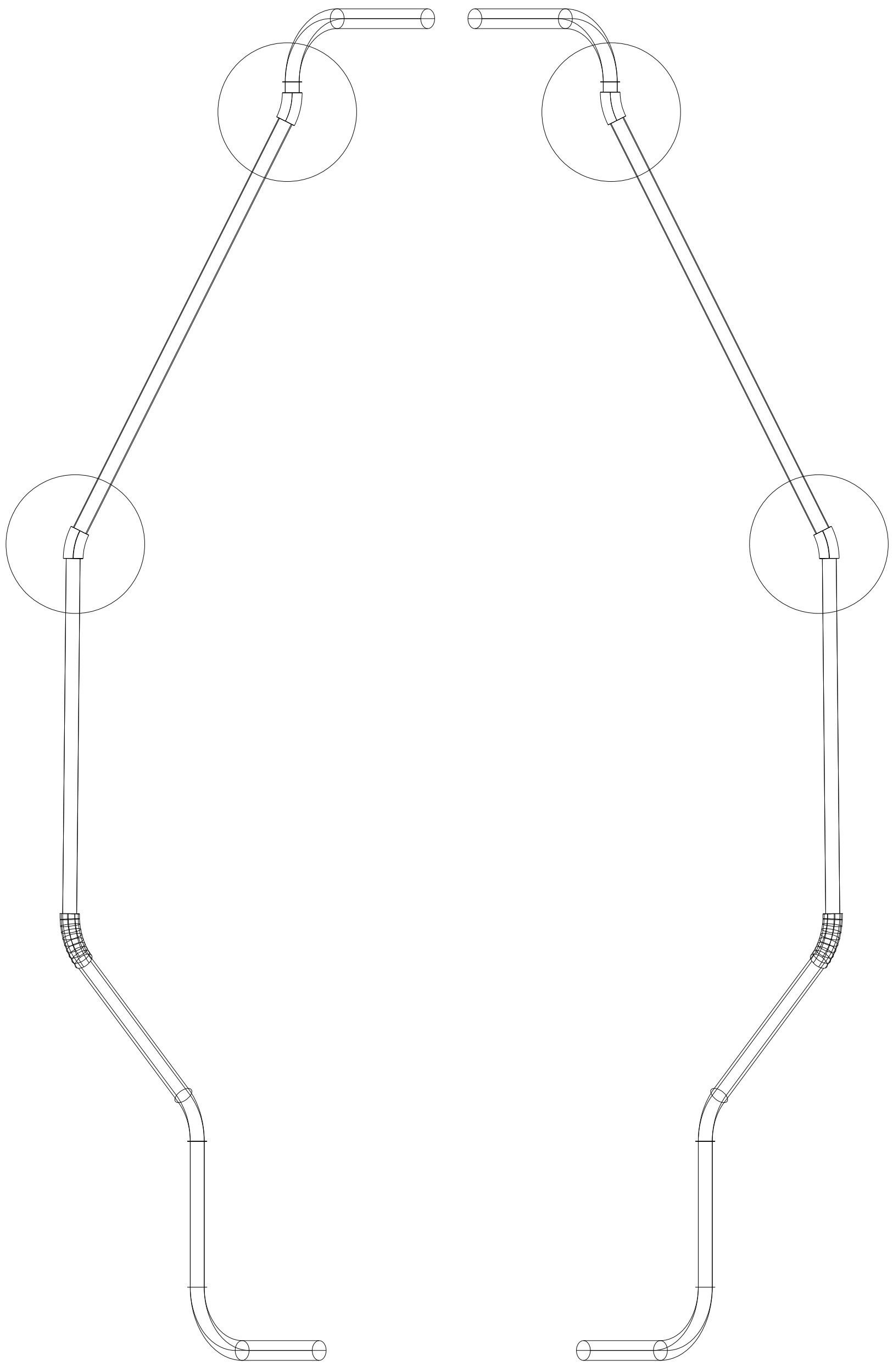
A-Pillars



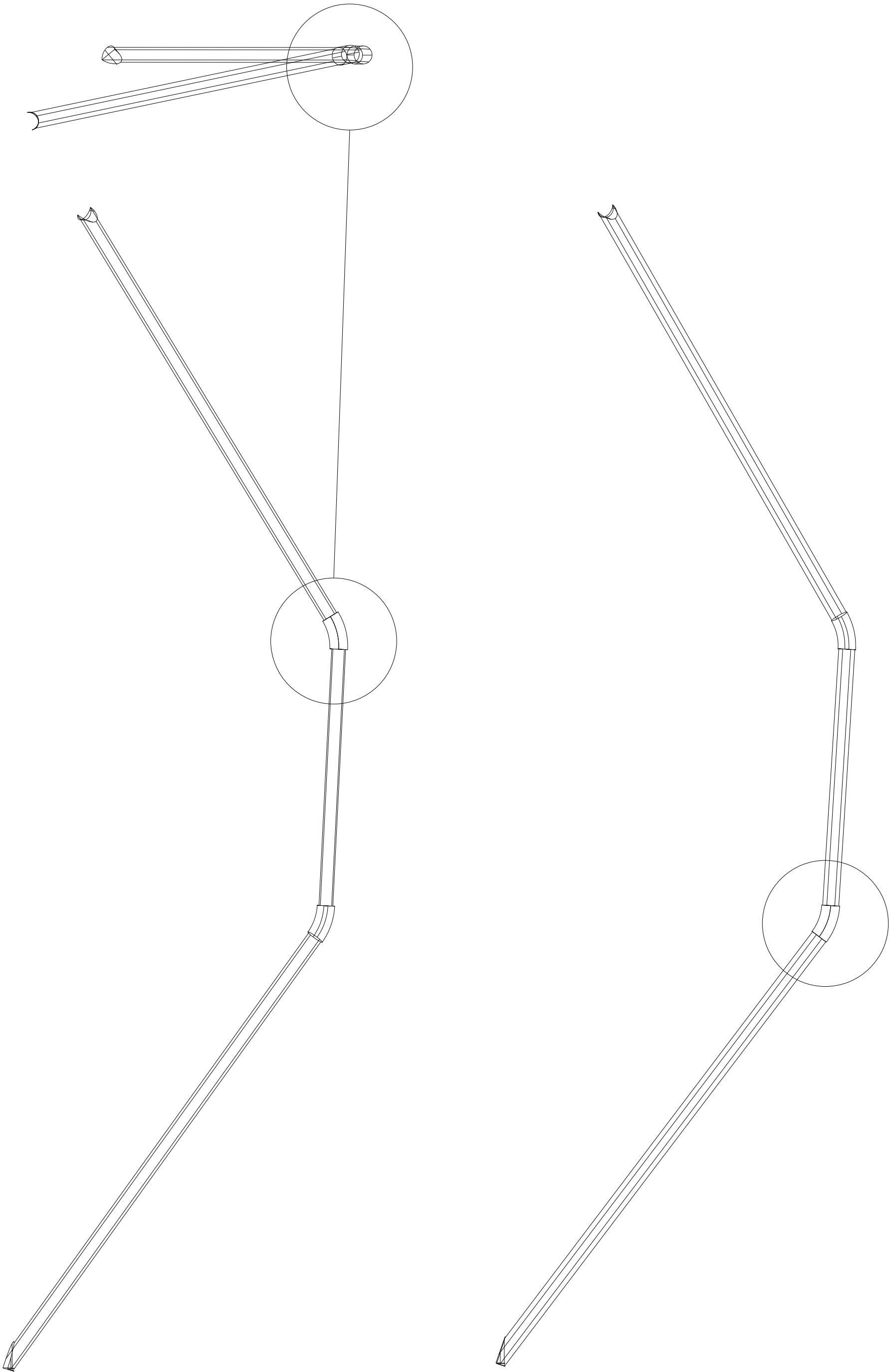






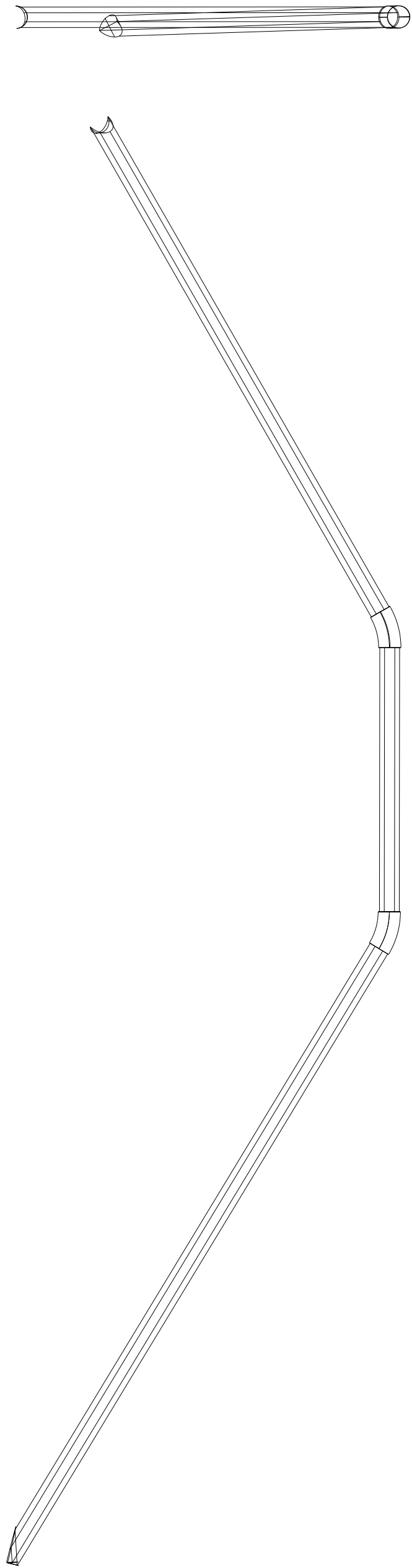


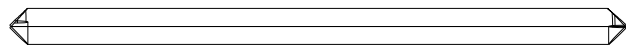
Drivers side



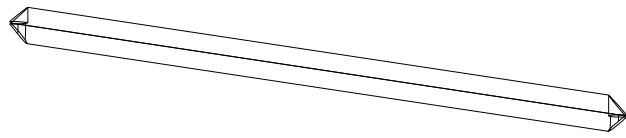
Passenger Side

Only slightly out of plane

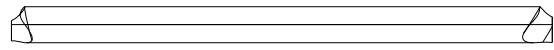




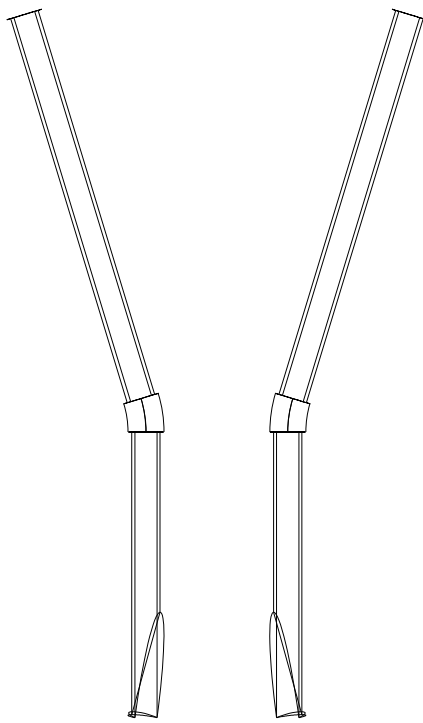
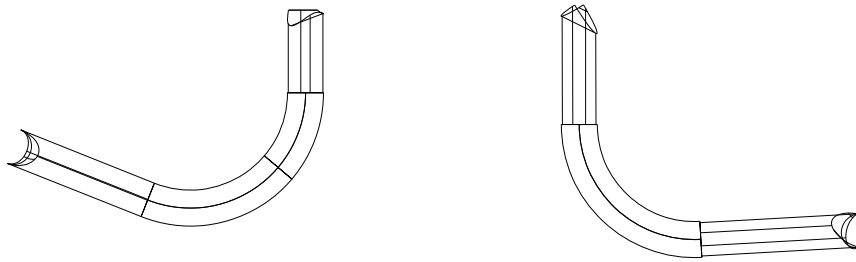
b pillar



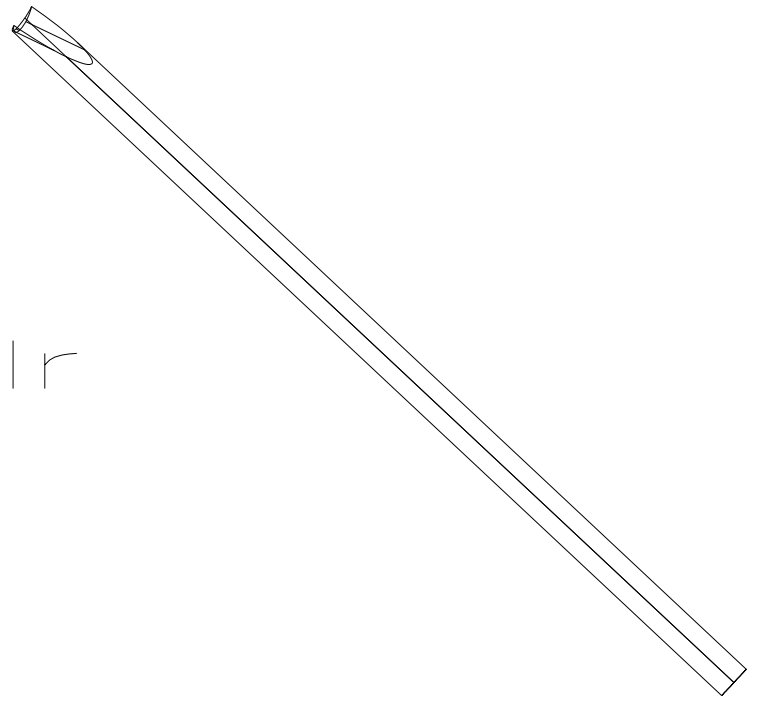
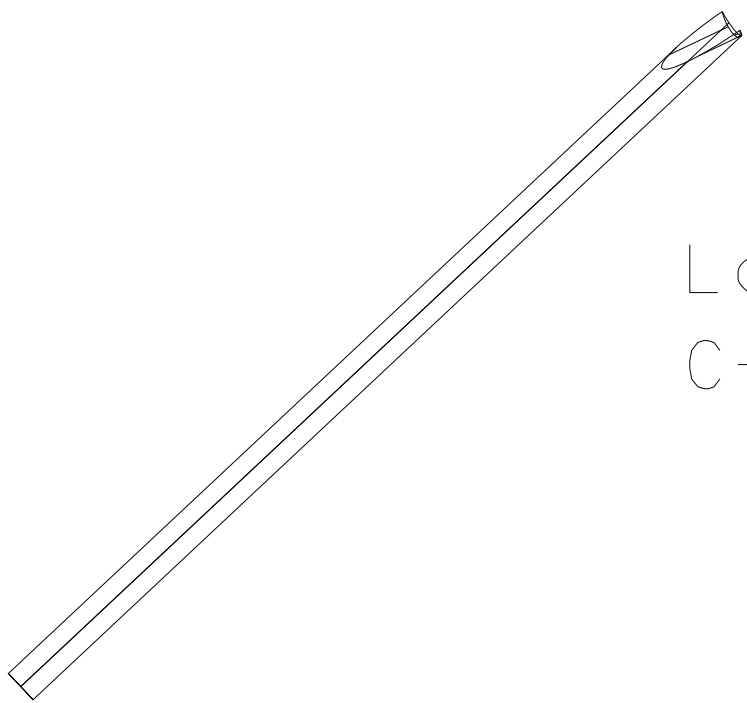
eye brow



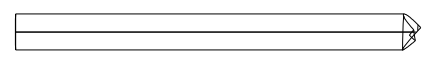
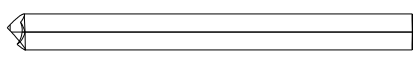
between shocks



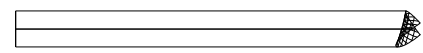
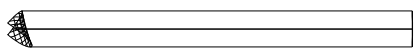
Front Lower braces



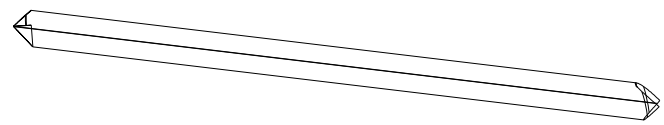
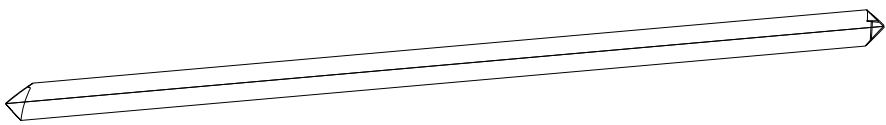
Lower
C-Pillar



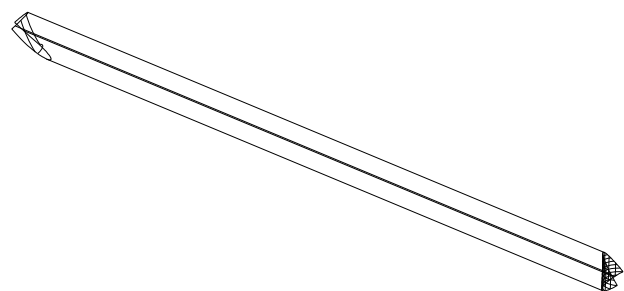
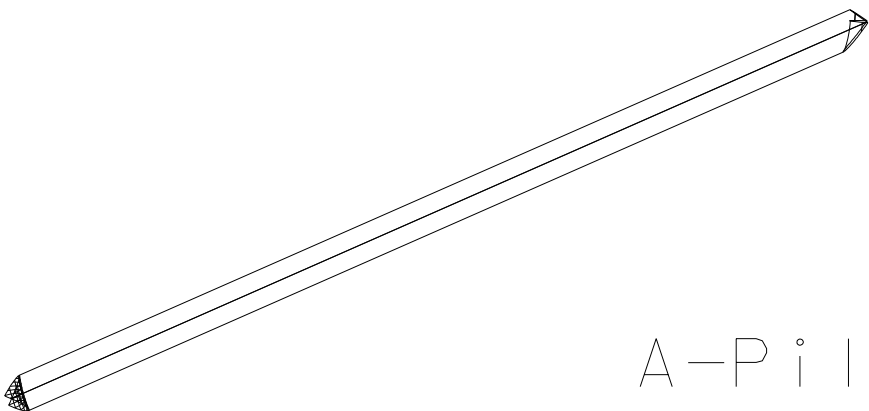
B-Pillars



A-Pillars



B-Pillars



A-Pillars