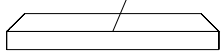


01

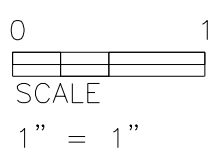
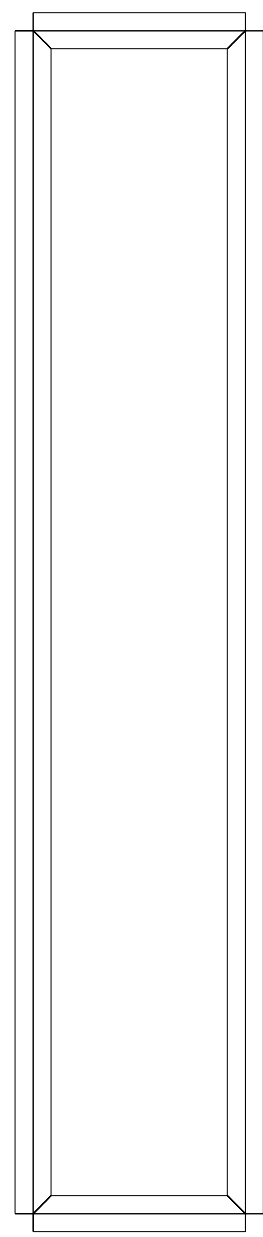
NEED 4

02

NEED 4

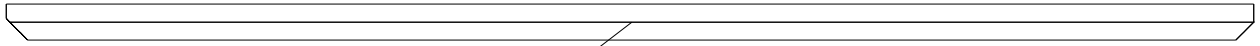


ASSEMBLED
BUILD 2



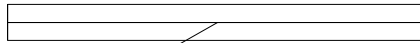
Project Name Venom Chassis	ROCKER ASSEMBLY	Figure 1
-------------------------------	-----------------	----------

REAR



04

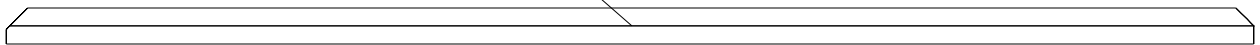
DOWN BARS
NEED 6



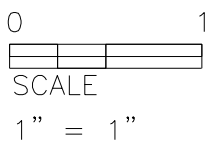
05

03

04

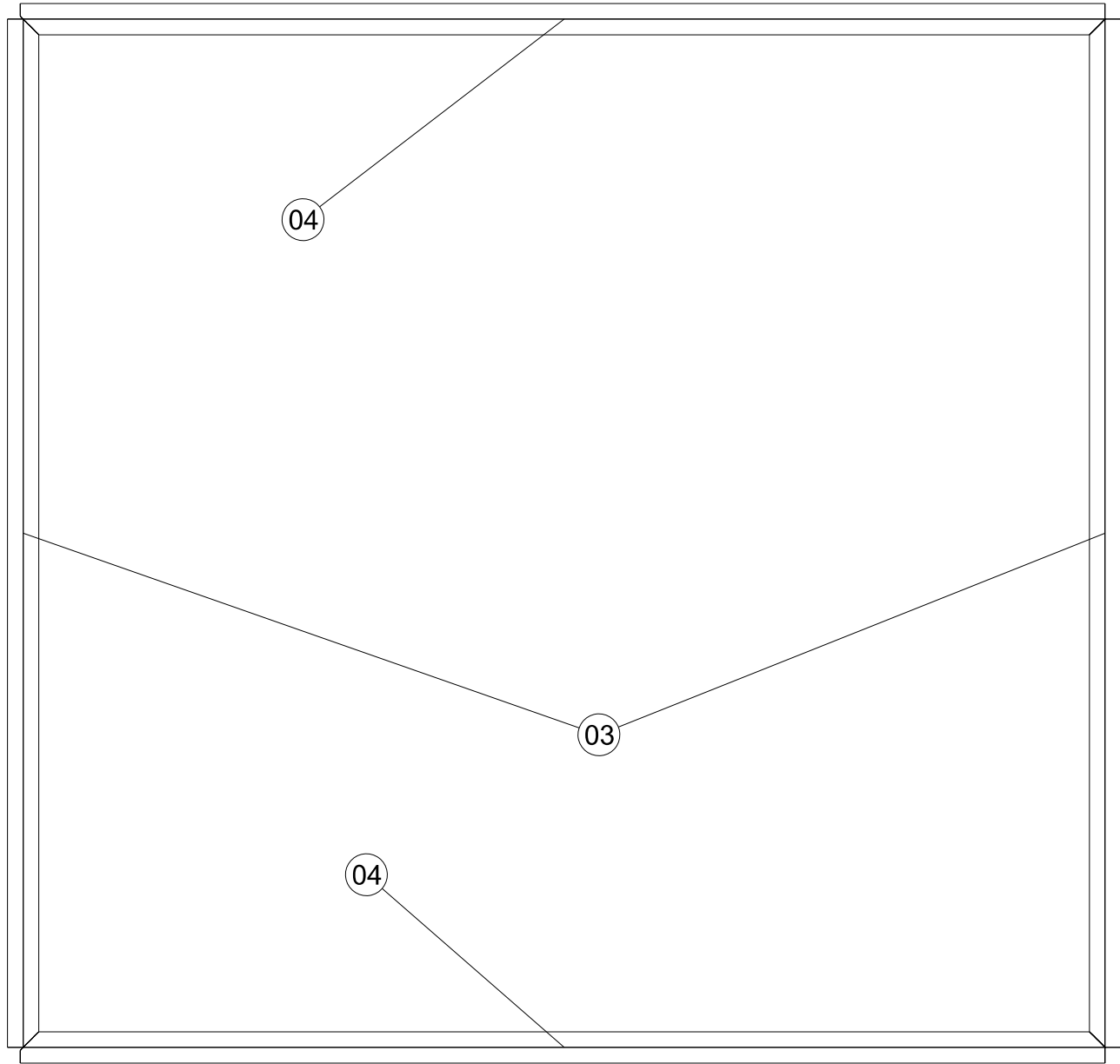


FRONT



Project Name Venom Chassis	BELT LINE	Figure 2
-------------------------------	-----------	----------

REAR



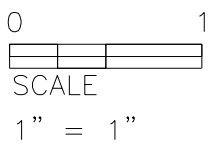
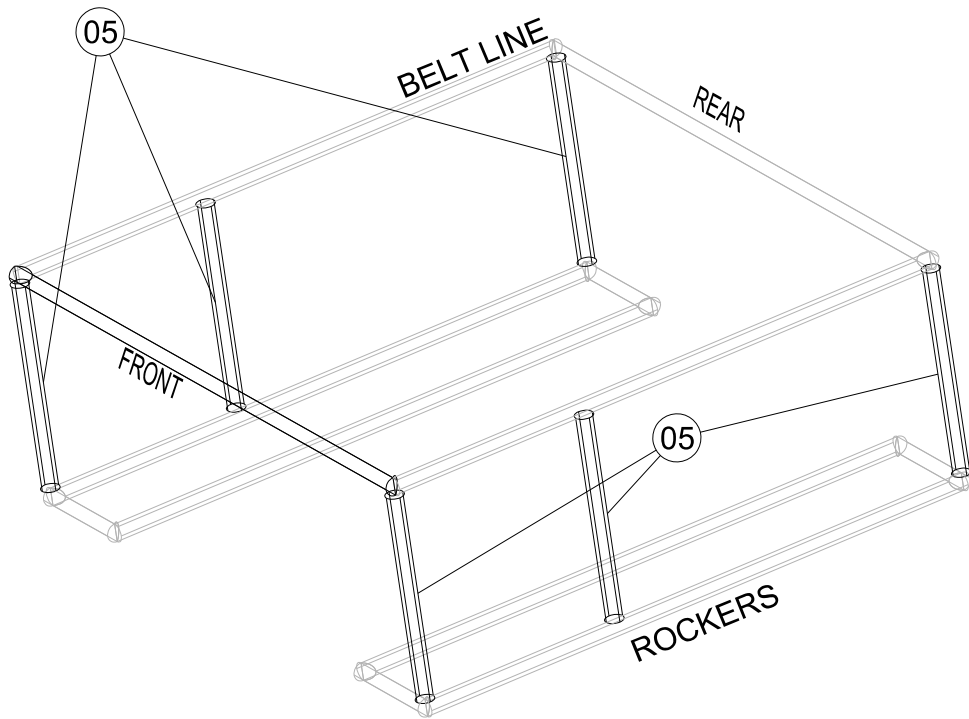
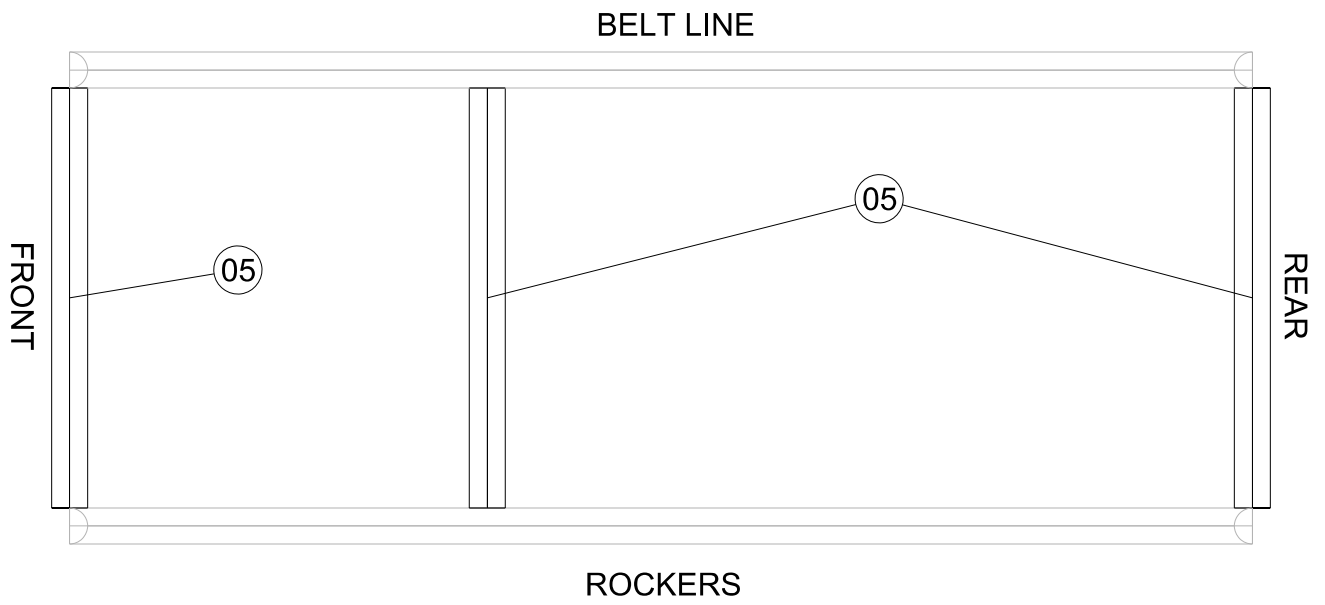
FRONT

0 1
SCALE
1" = 1"

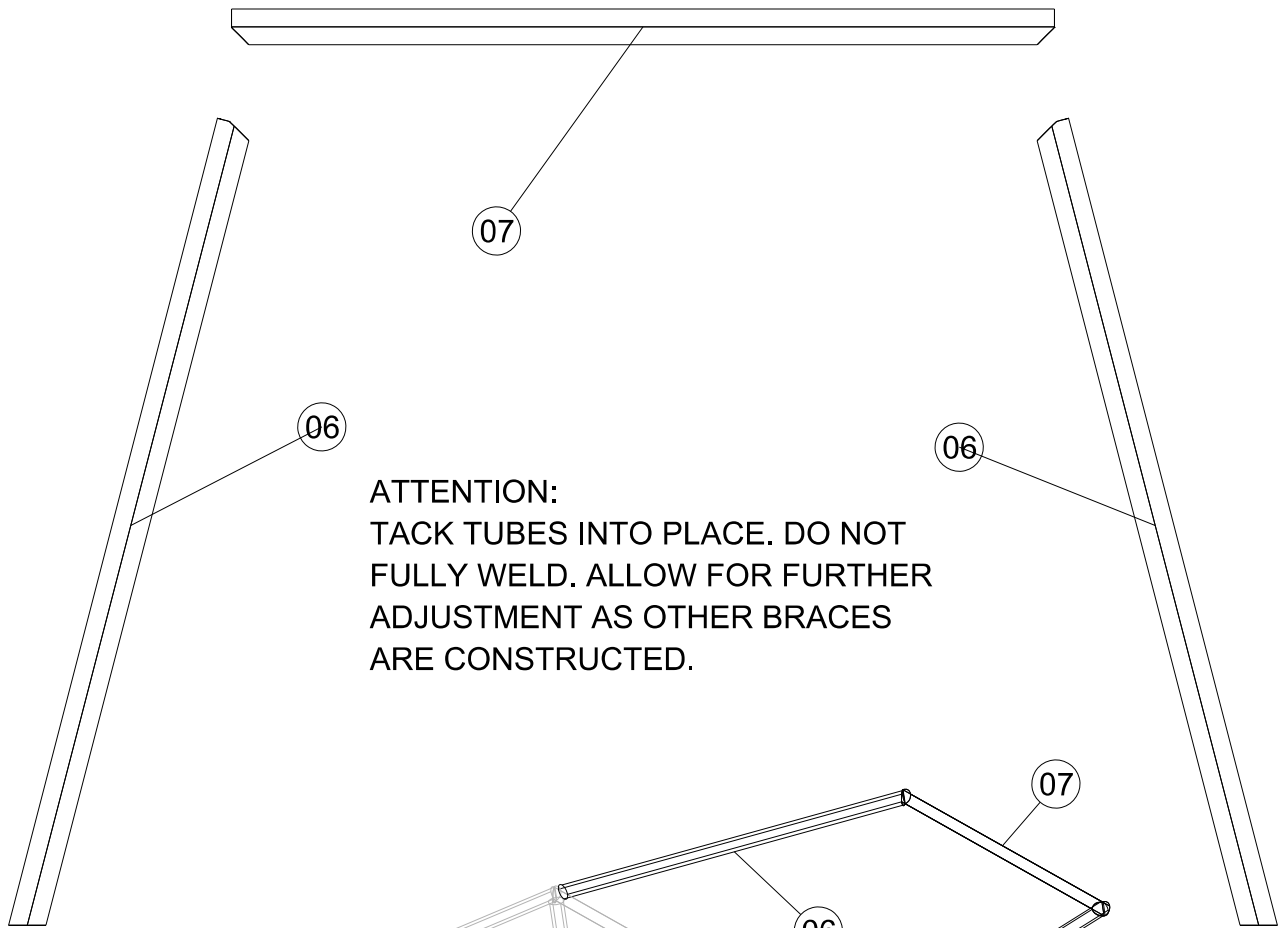
Project Name
Venom Chassis

BELT LINE
ASSEMBLED

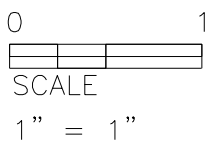
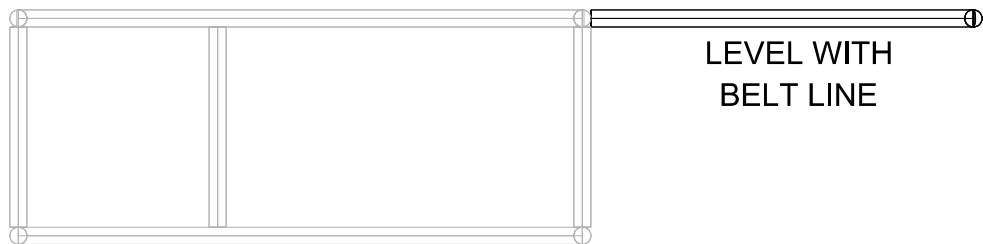
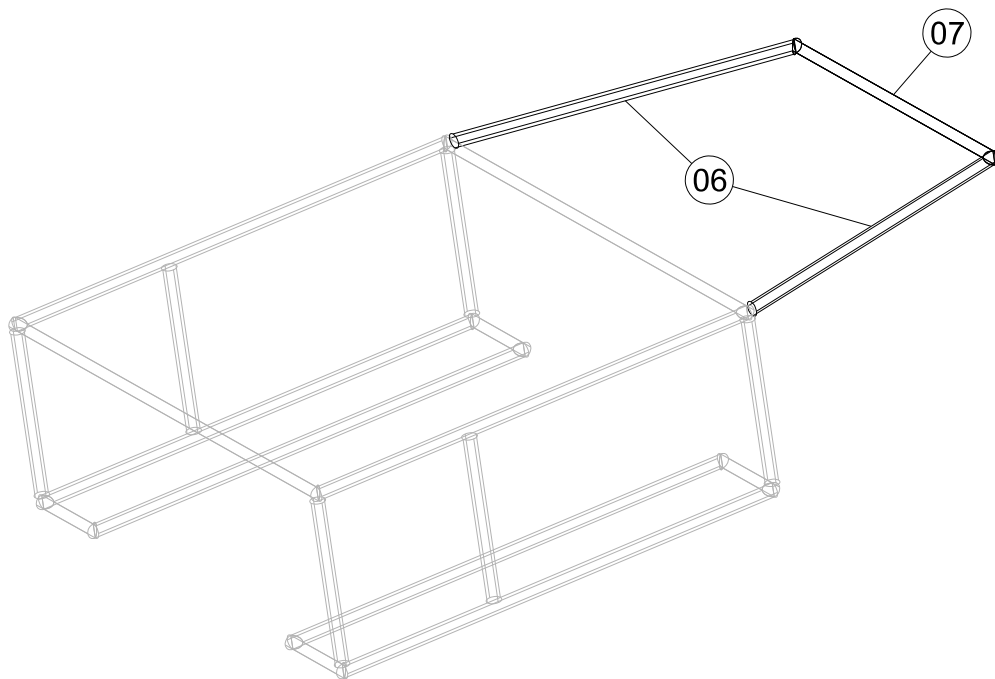
Figure 3



Project Name Venom Chassis	DOWN BAR LOCATIONS	Figure 4
-------------------------------	-----------------------	----------



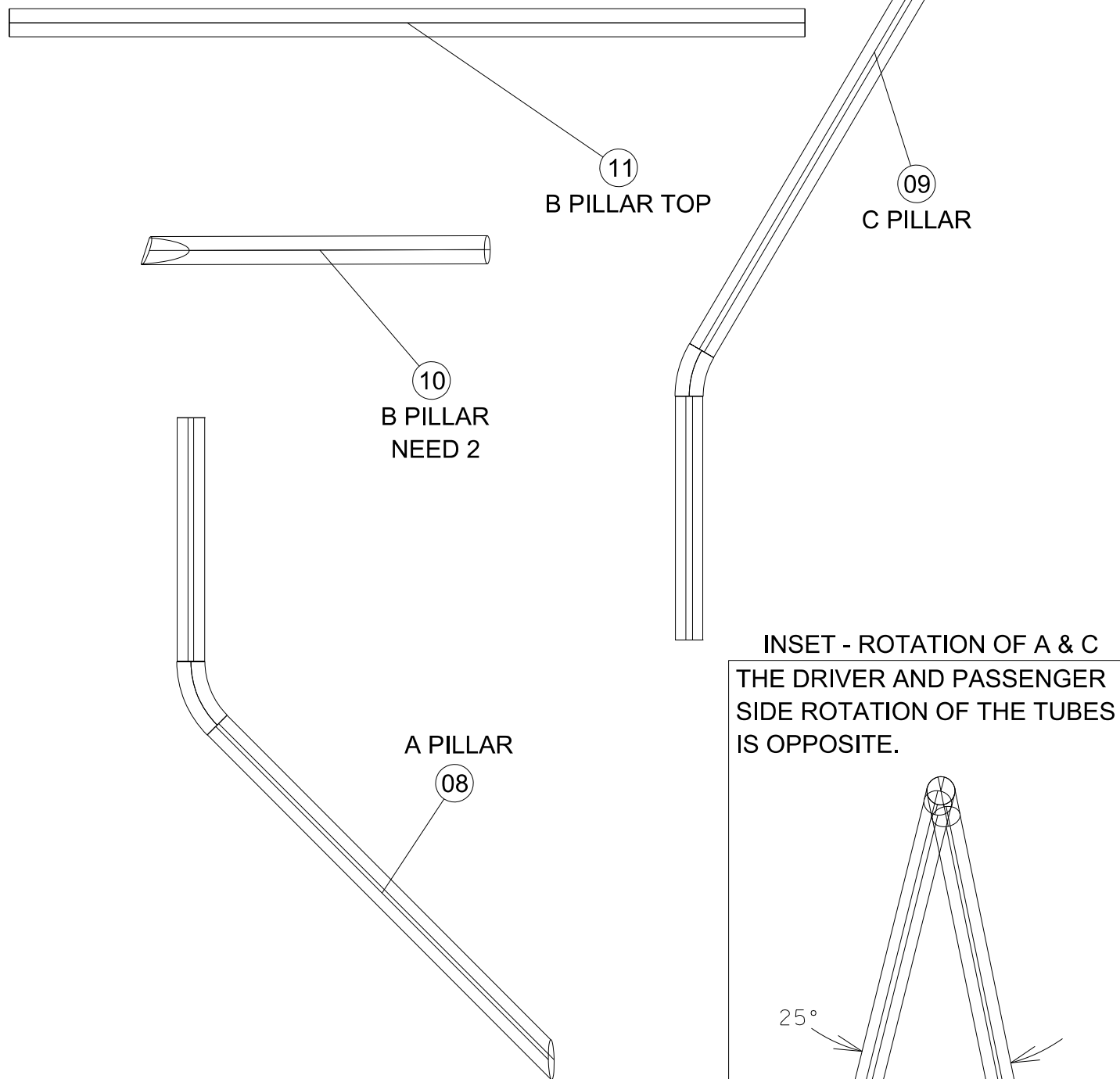
ATTENTION:
 TACK TUBES INTO PLACE. DO NOT
 FULLY WELD. ALLOW FOR FURTHER
 ADJUSTMENT AS OTHER BRACES
 ARE CONSTRUCTED.



Project Name Venom Chassis	REAR BELT LINE	Figure 5
-------------------------------	-------------------	----------

RATHER THAN ATTEMPTING COMPLEX BENDS, I HAVE CUT THE A TO C (#8 & #9) TUBE BETWEEN THE TWO BENDS TO MAKE REPLICATION OF THE TUBE EASY.

THE ROTATION OF THE TWO TUBES IS SHOWN IN THE INSET. HOWEVER, YOU CAN TACK THEM IN PLACE ON THE CHASSIS BEFORE WELDING THEM TOGETHER TO SET THE ROTATION.

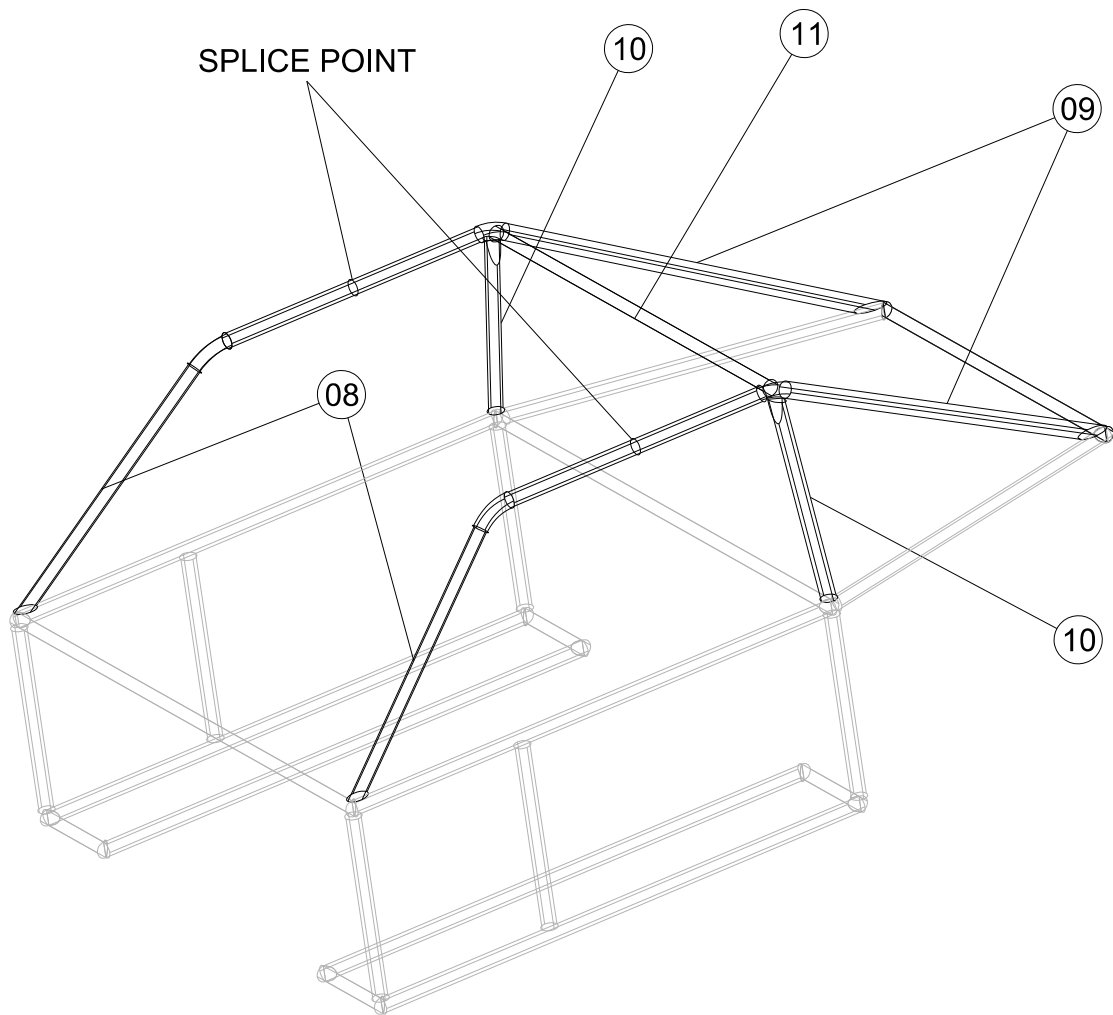


0 1
SCALE
1" = 1"

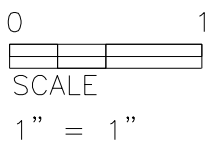
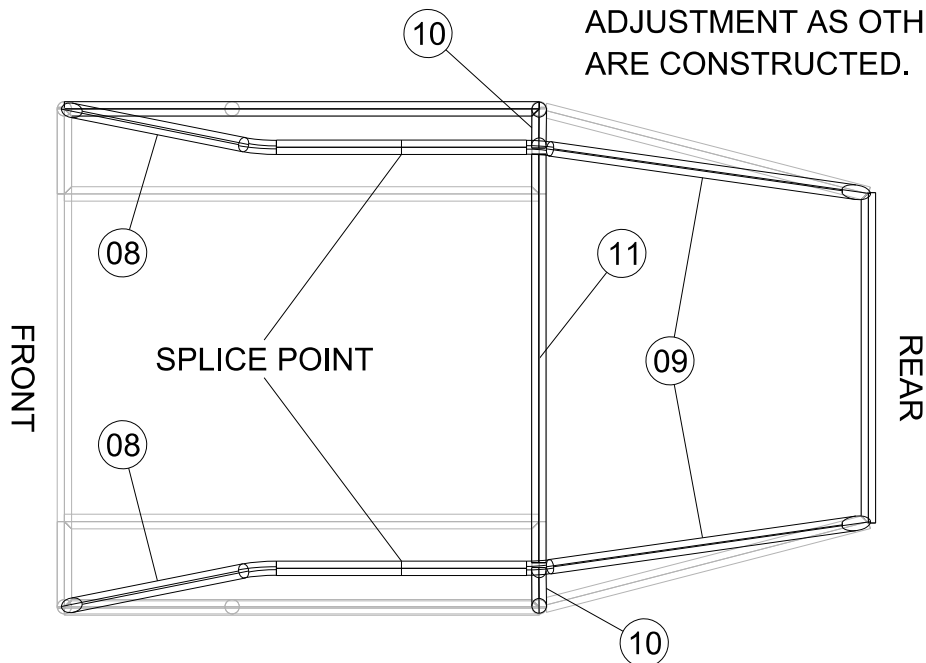
Project Name
Venom Chassis

A, B & C PILLARS

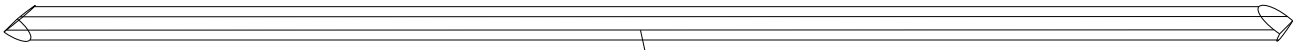
Figure 6



ATTENTION:
 TACK TUBES INTO PLACE. DO NOT
 FULLY WELD. ALLOW FOR FURTHER
 ADJUSTMENT AS OTHER BRACES
 ARE CONSTRUCTED.



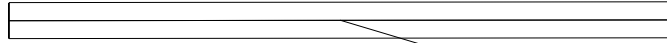
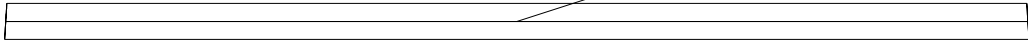
Project Name Venom Chassis	A, B & C PILLARS PLACEMENT	Figure 7
-------------------------------	-------------------------------	----------



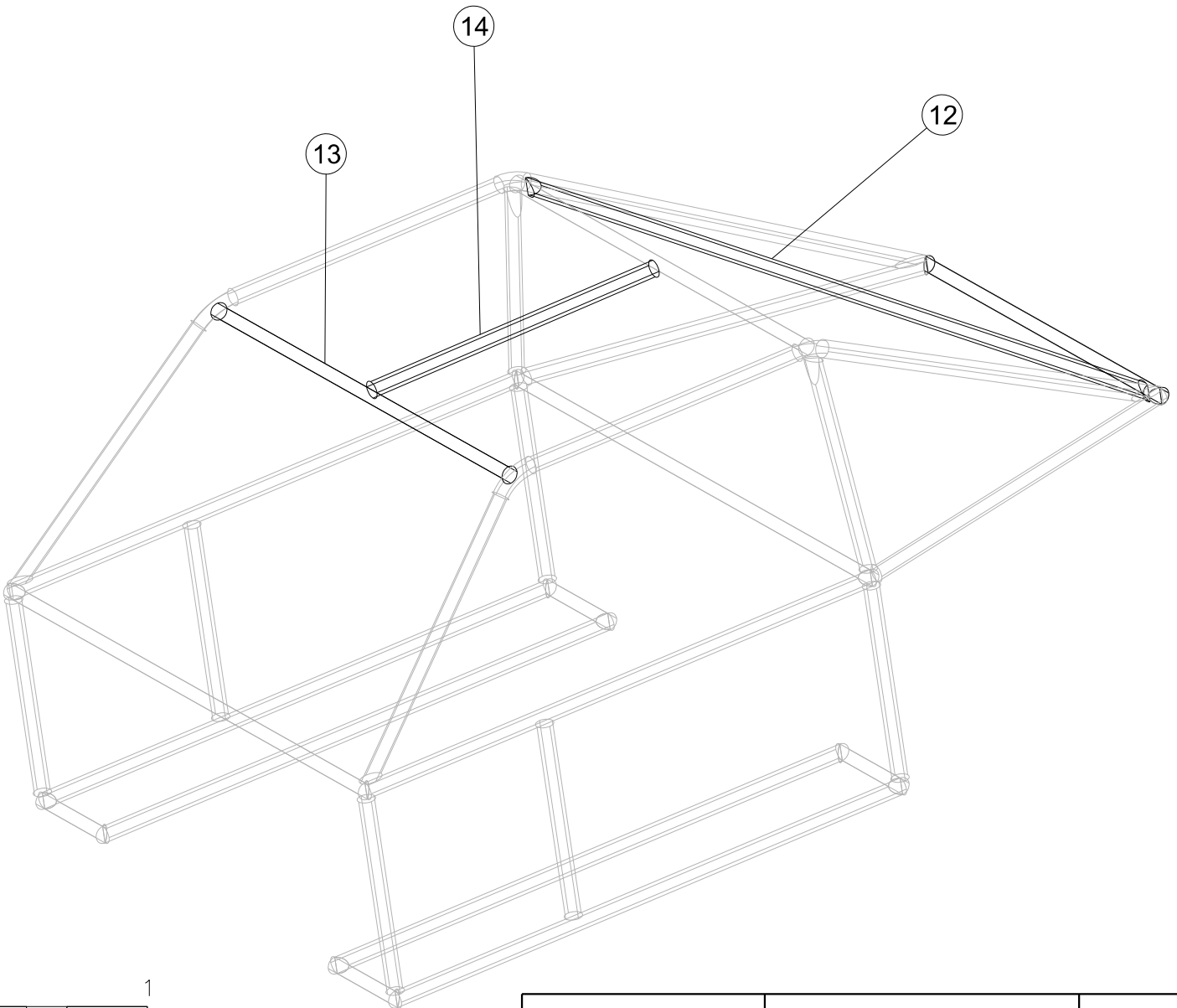
12
B TO C BRACE

A PILLAR TOP

13

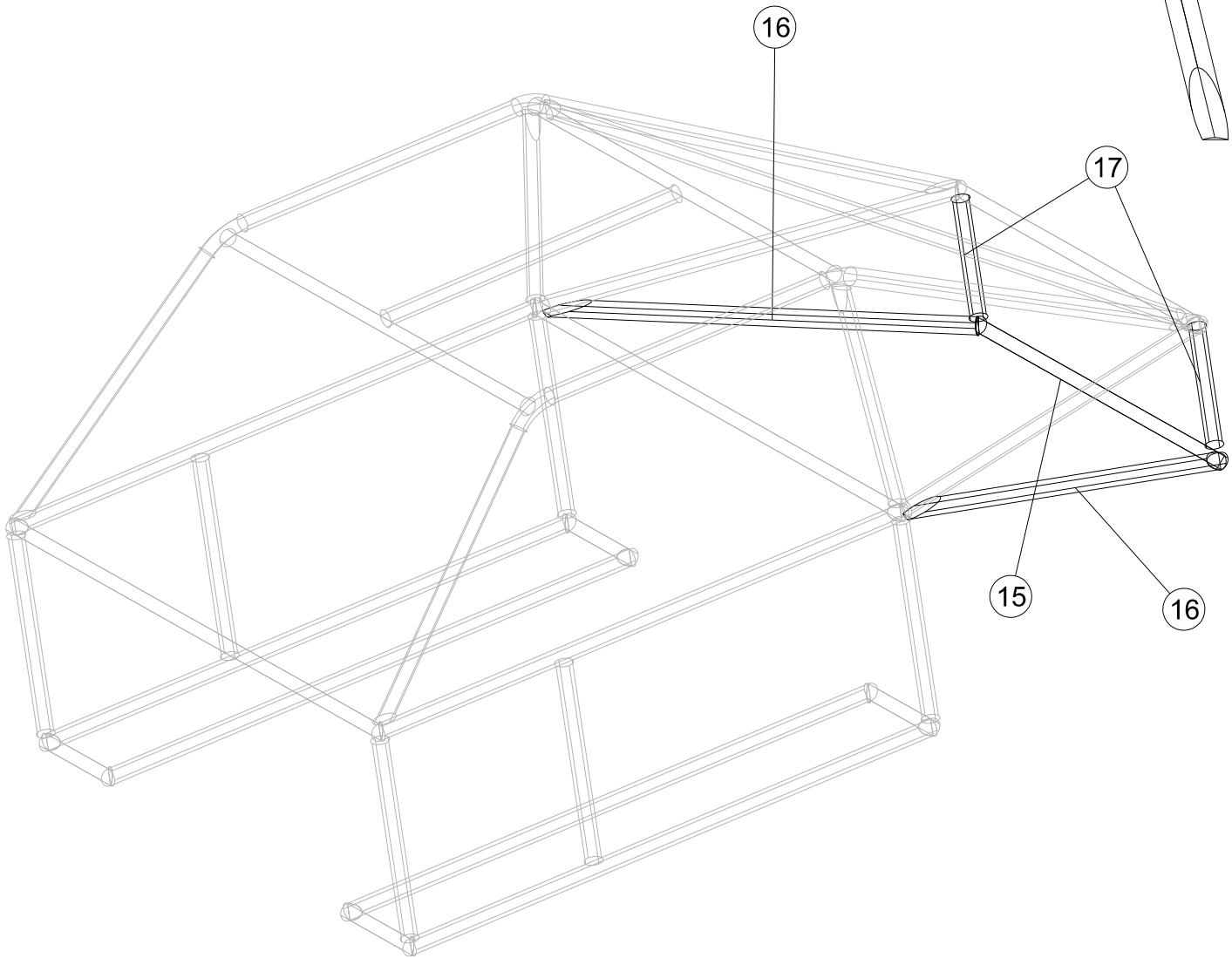
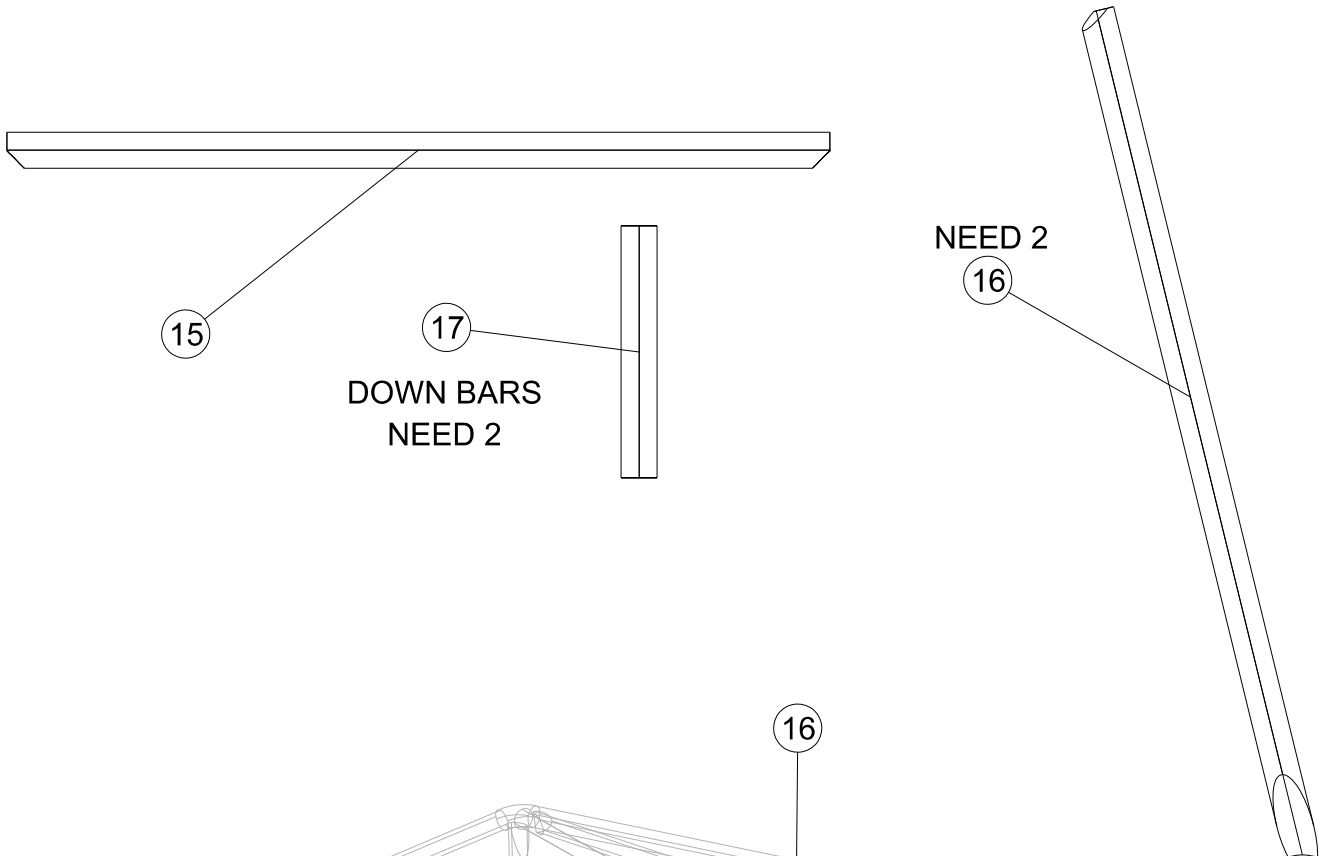


14
A TO B BRACE



0 1
SCALE
1" = 1"

Project Name Venom Chassis	ROOF BRACING	Figure 8
-------------------------------	--------------	----------



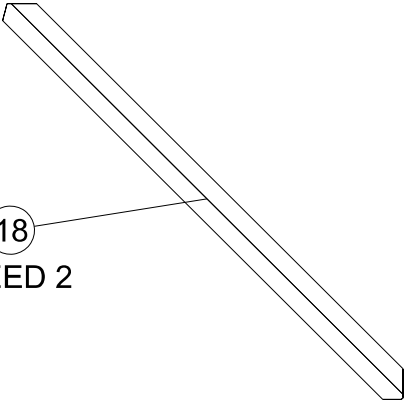
0 1

SCALE

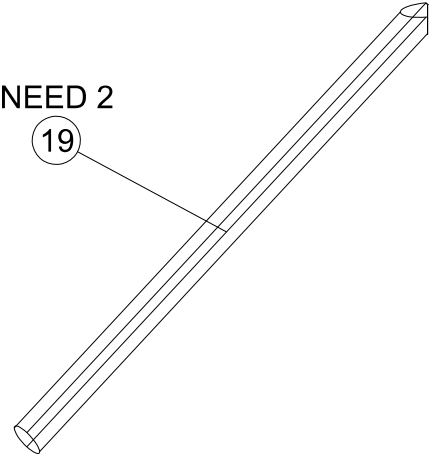
1" = 1"

Project Name Venom Chassis	REAR LOWER SECTION	Figure 9
-------------------------------	-----------------------	----------

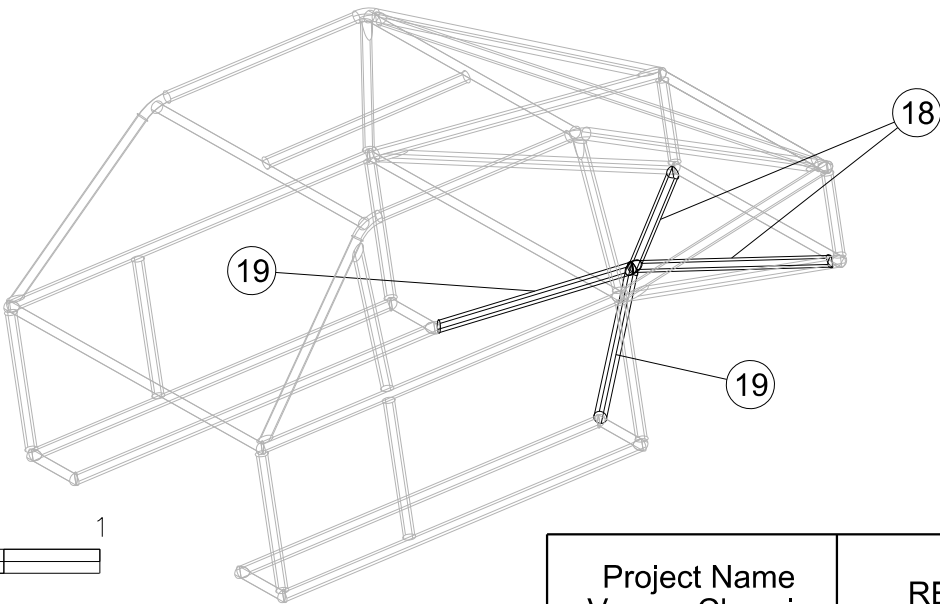
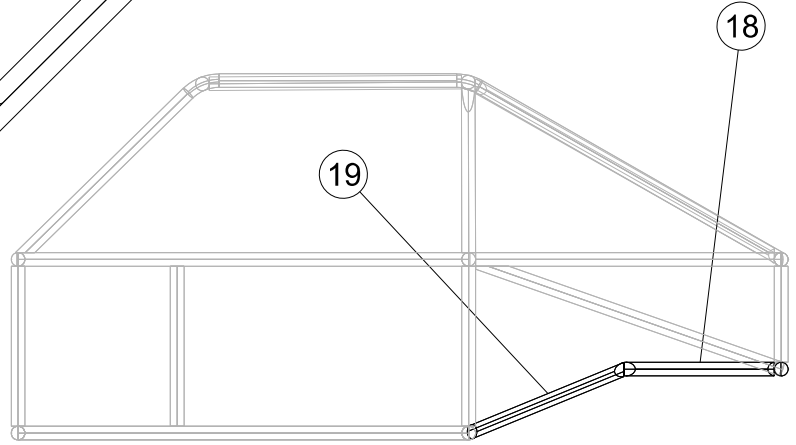
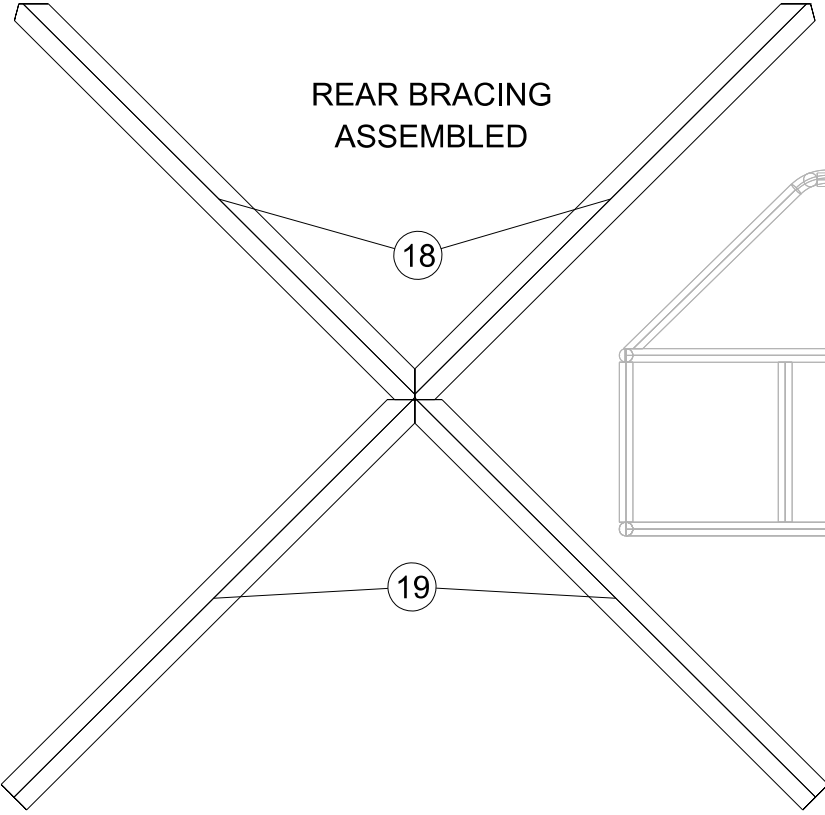
18
NEED 2



NEED 2
19

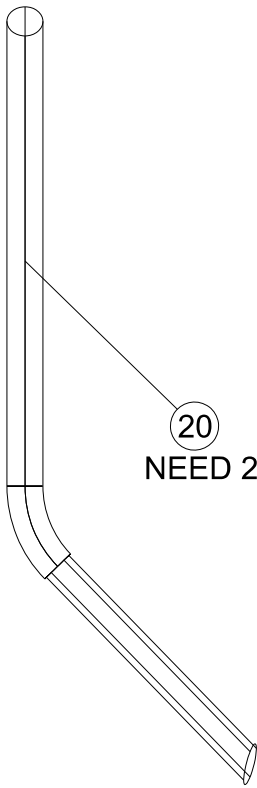


REAR BRACING
ASSEMBLED

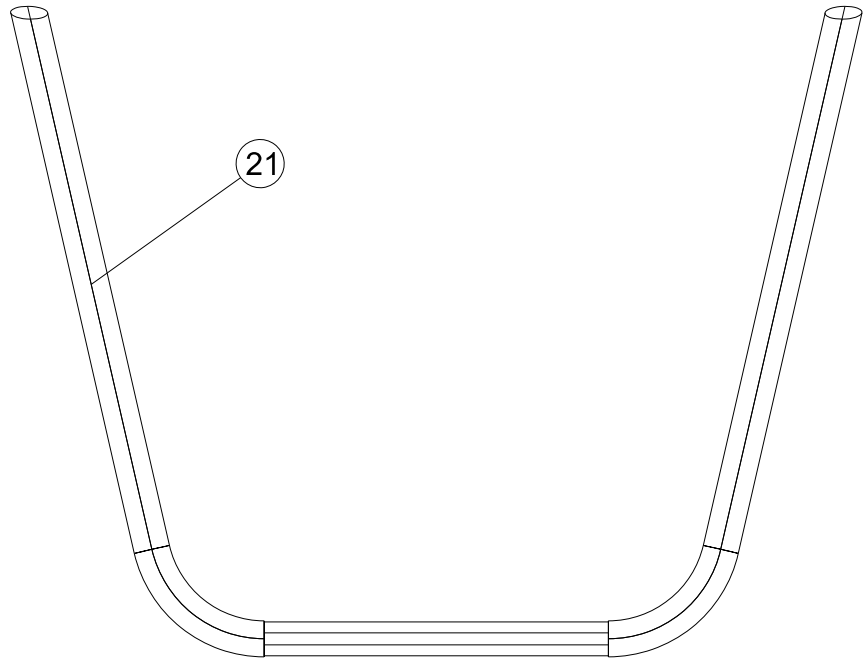


0 1
SCALE
1" = 1"

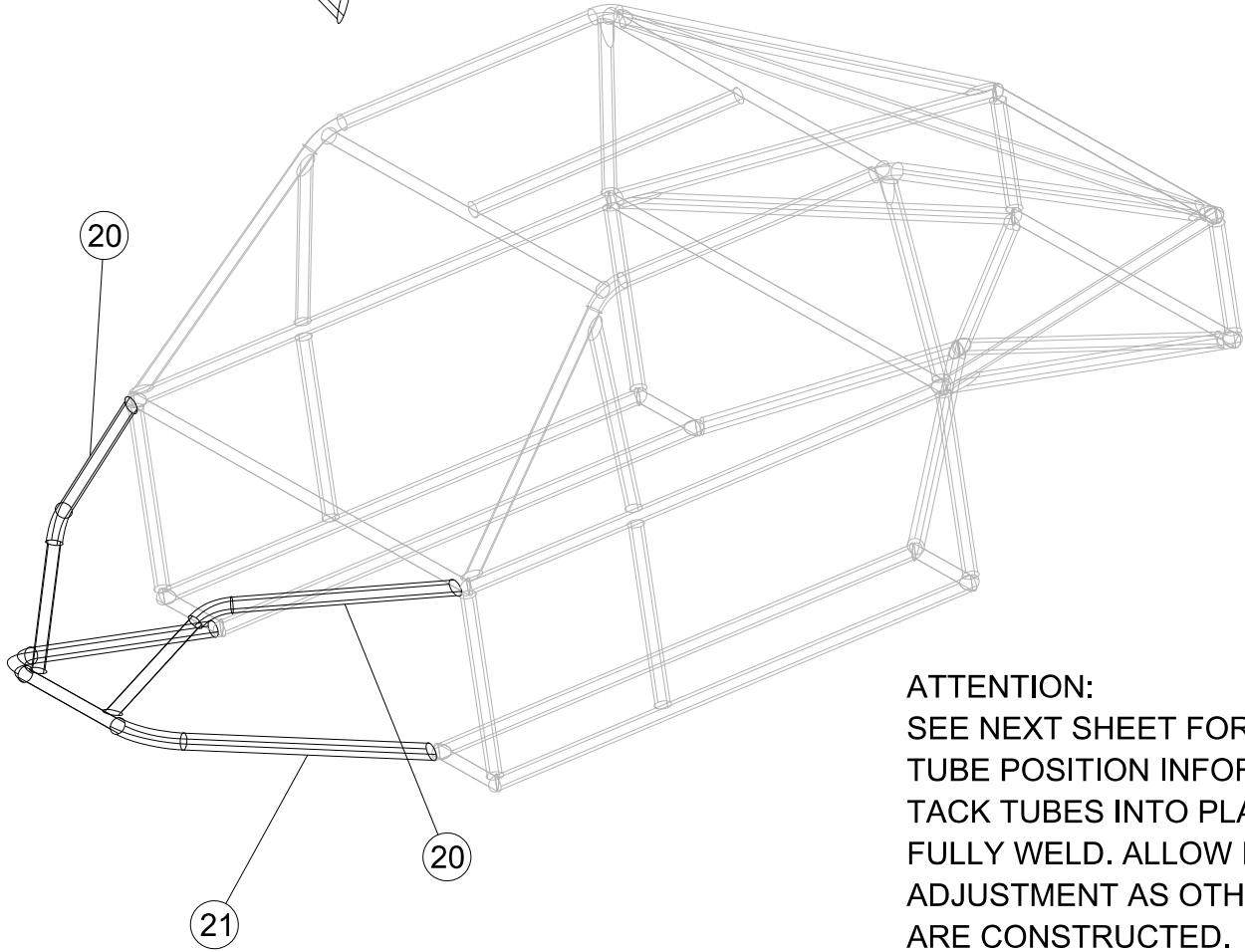
Project Name Venom Chassis	REAR BRACING	Figure 10
-------------------------------	--------------	-----------



20
NEED 2



21

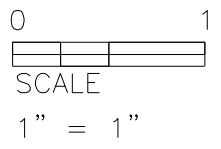


20

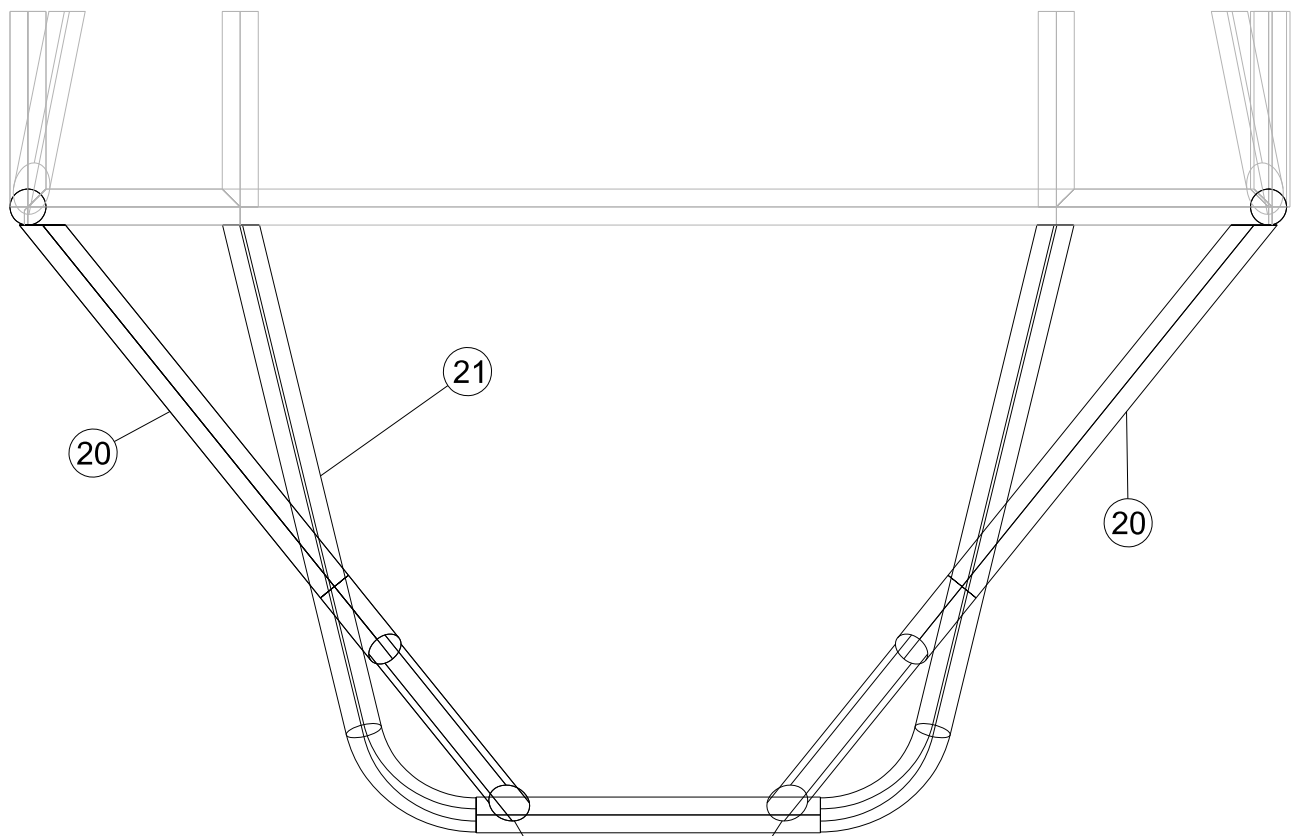
20

21

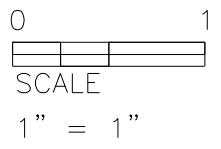
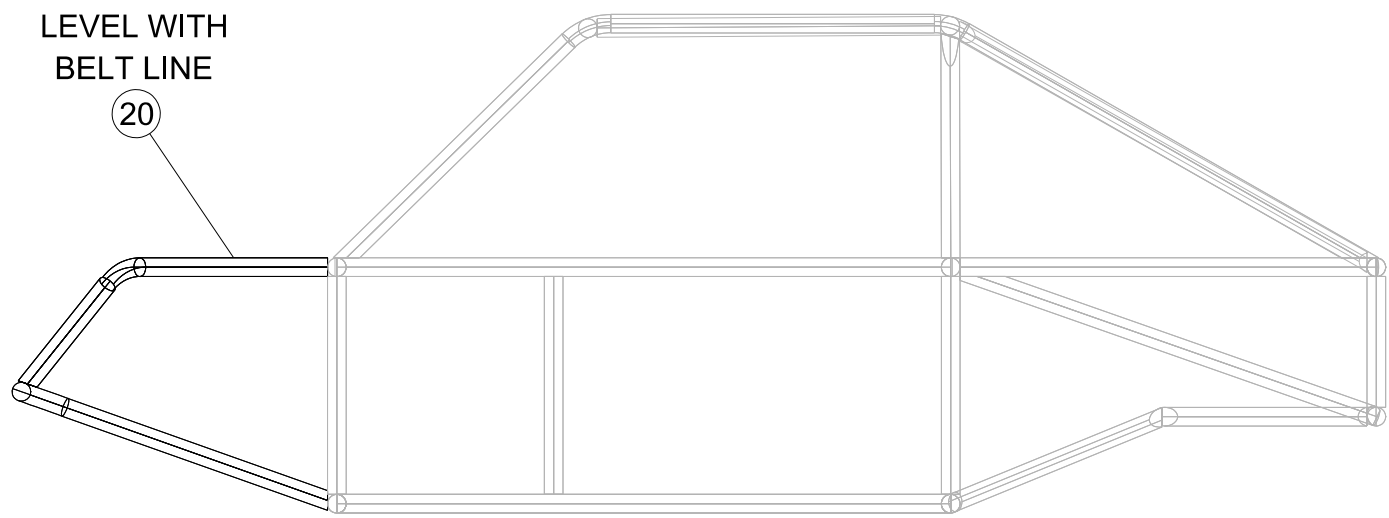
ATTENTION:
SEE NEXT SHEET FOR FURTHER
TUBE POSITION INFORMATION.
TACK TUBES INTO PLACE. DO NOT
FULLY WELD. ALLOW FOR FURTHER
ADJUSTMENT AS OTHER BRACES
ARE CONSTRUCTED.



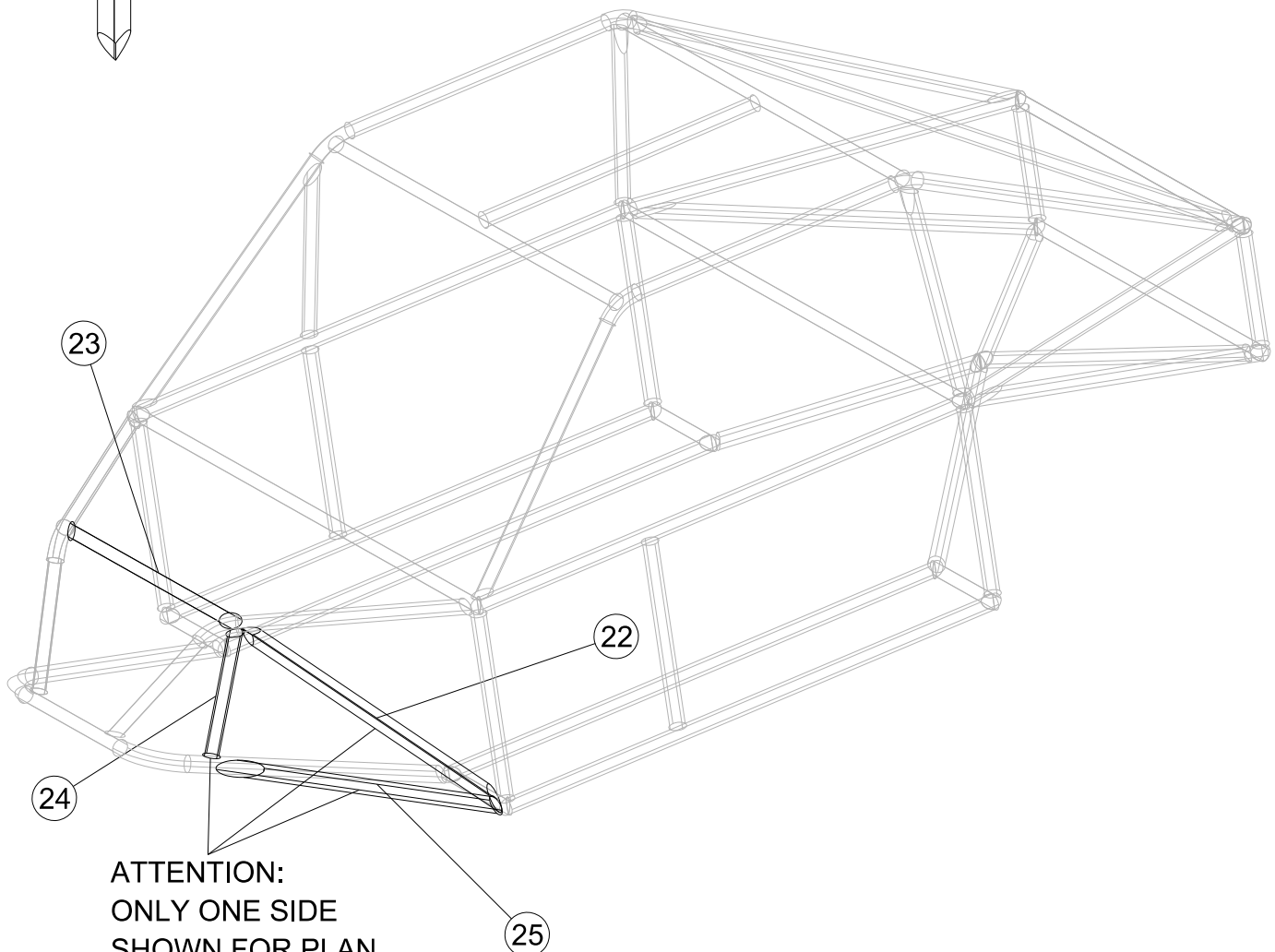
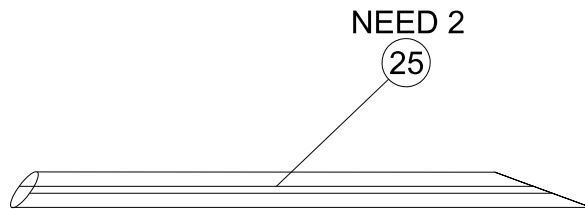
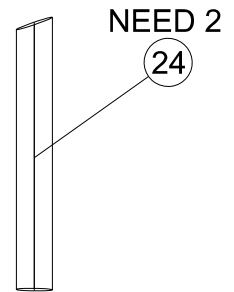
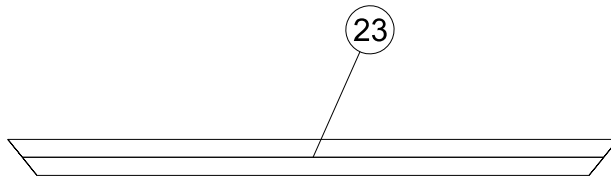
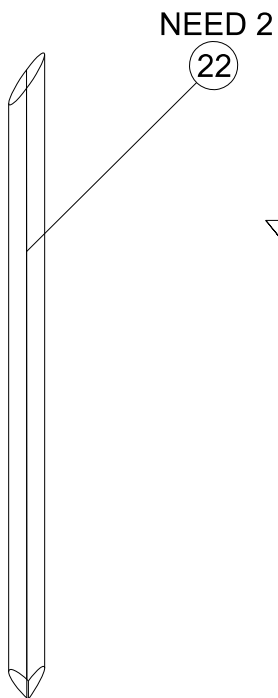
Project Name Venom Chassis	FRONT STRUCTURE	Figure 11
-------------------------------	-----------------	-----------



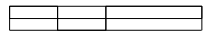
POSITION WHERE TUBE 20
INTERSECTS TUBE 21



Project Name Venom Chassis	FRONT STRUCTURE LOCATION	Figure 12
-------------------------------	-----------------------------	-----------



ATTENTION:
 ONLY ONE SIDE
 SHOWN FOR PLAN
 CLARITY. REPEAT
 PLACEMENT ON
 PASSENGER SIDE.

0

 SCALE
 1" = 1"

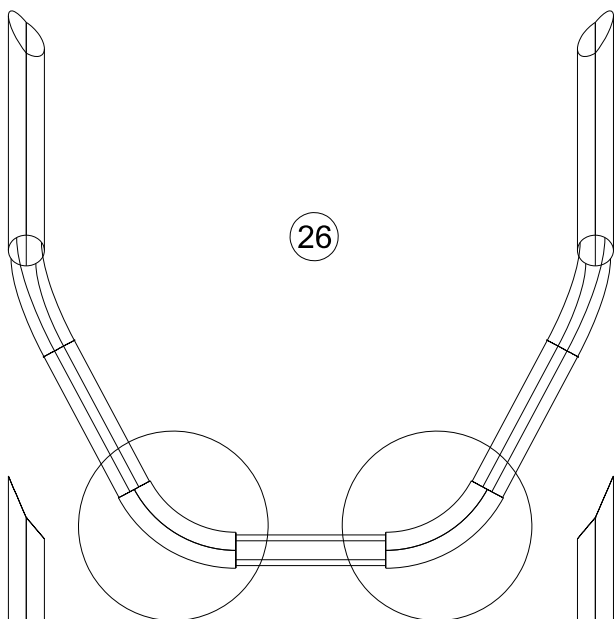
Project Name Venom Chassis	FRONT STRUCTURE BRACING	Figure 13
-------------------------------	----------------------------	-----------

#26 - COMPOUND BEND!

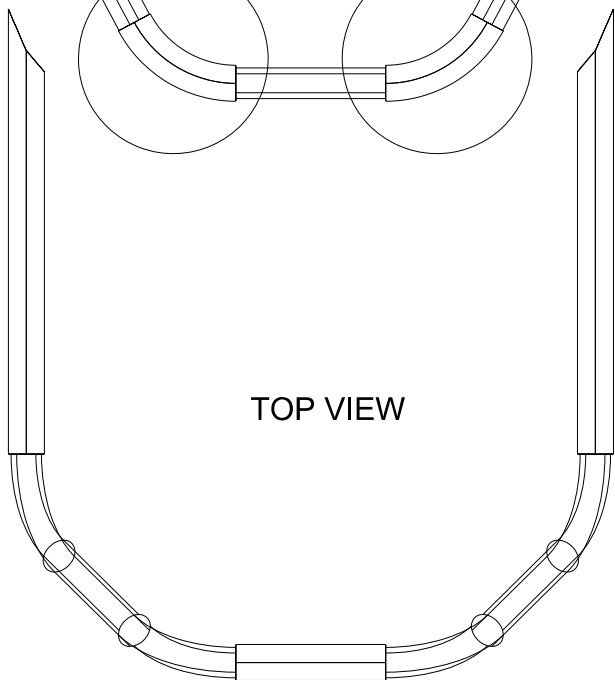
THIS PART REQUIRES MULTIPLE BENDS IN ONE PIECE

THE CIRCLED BENDS REPRESENT BENDS IN THE SAME PLANE AS THE SHEET

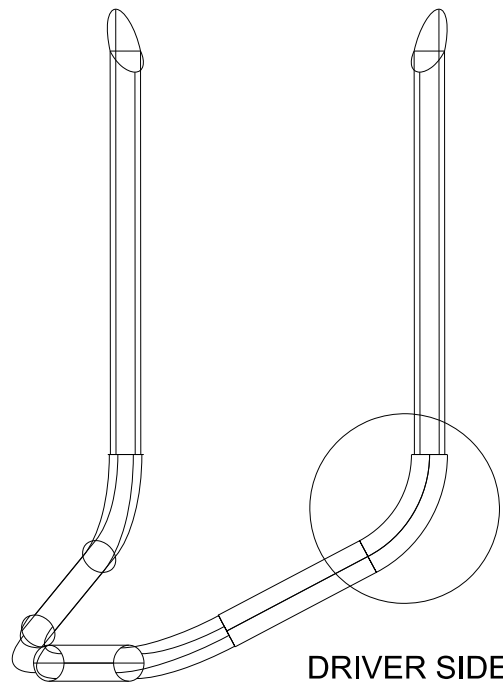
USE THESE AS YOU BEND TEMPLATES AND TRY TO MATCH YOUR PIECE TO THE TOP/FRONT/SIDE VIEWS



TOP VIEW

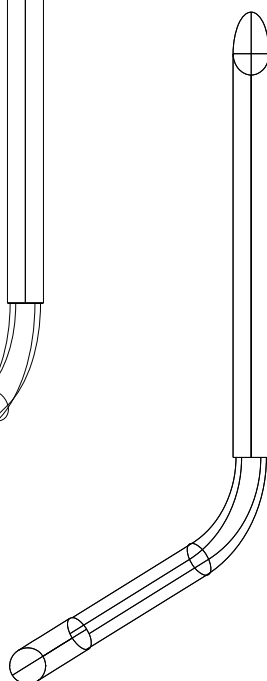


FRONT VIEW



DRIVER SIDE

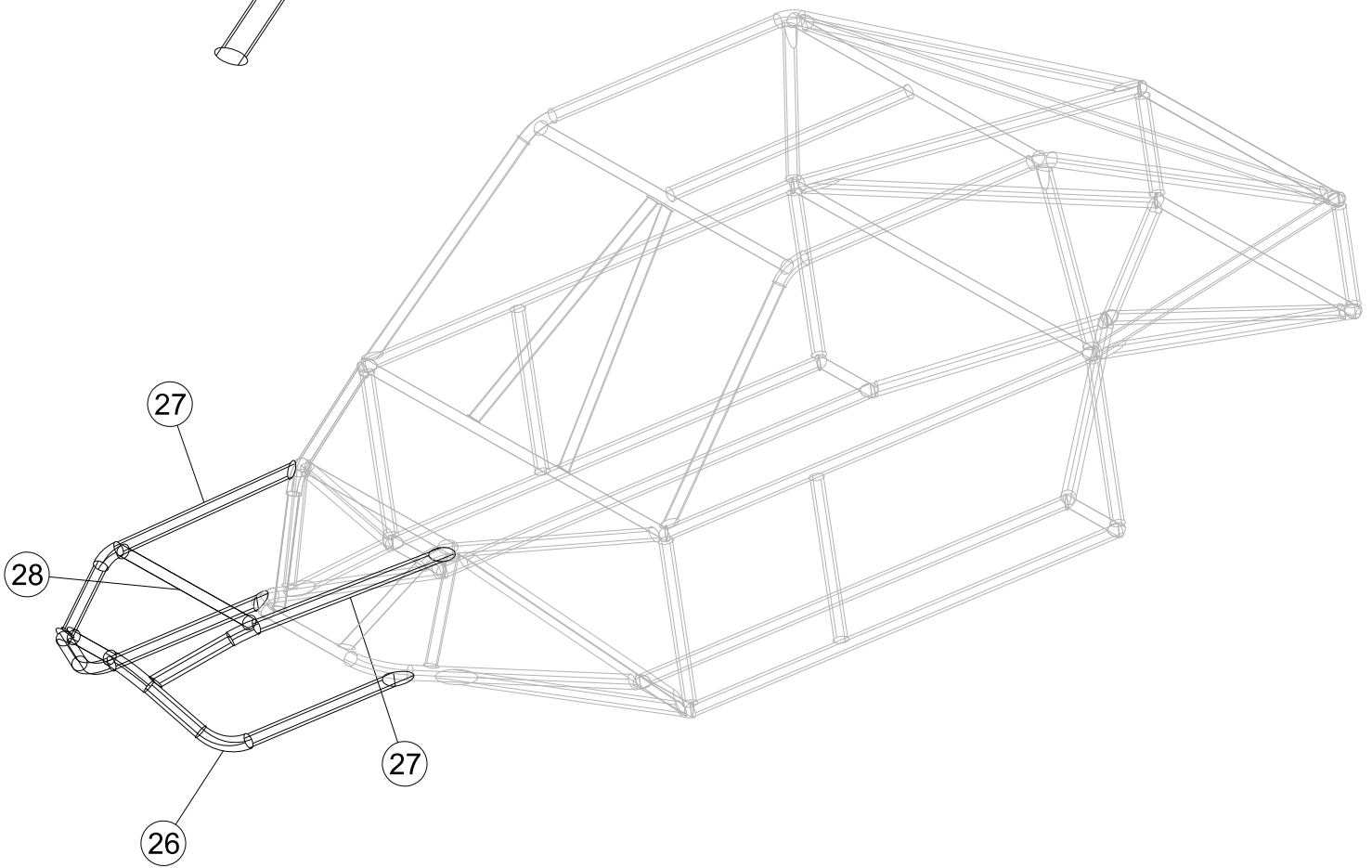
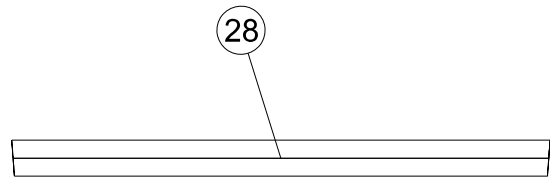
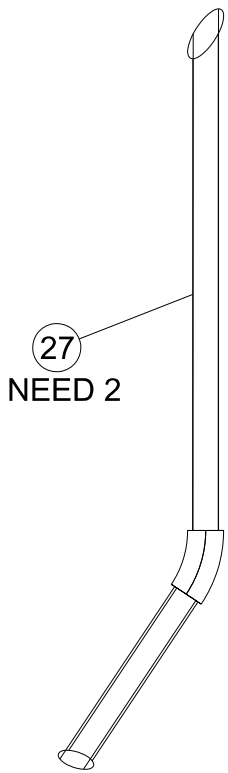
SIDE VIEW



PASSENGER SIDE



Project Name Venom Chassis	STINGER	Figure 14
-------------------------------	---------	-----------



0 1
SCALE
1" = 1"

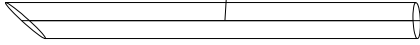
Project Name
Venom Chassis

NOSE ASSEMBLY

Figure 15

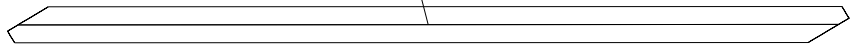
NEED 2

29



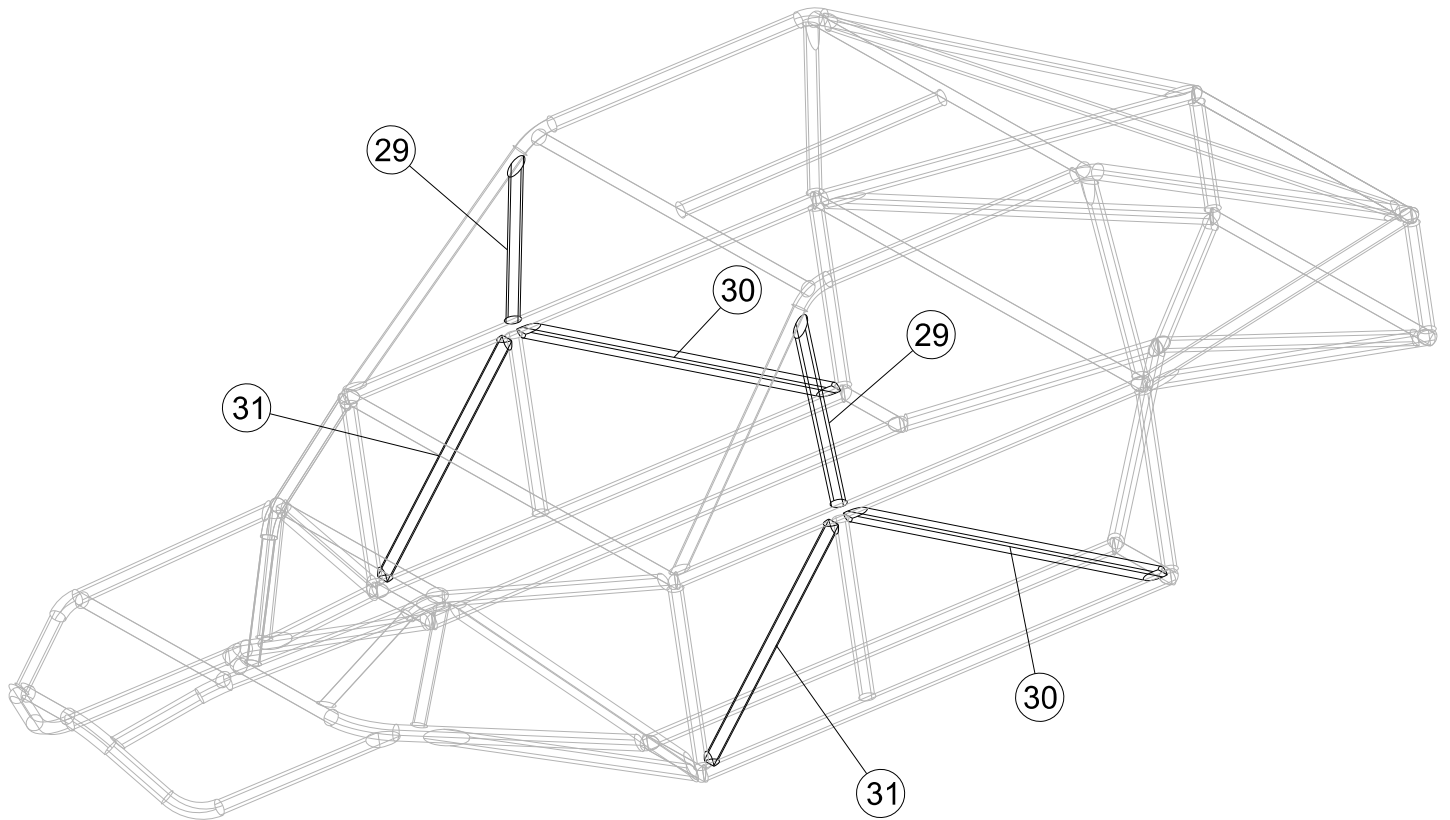
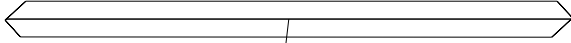
NEED 2

30

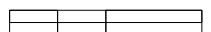


31

NEED 2

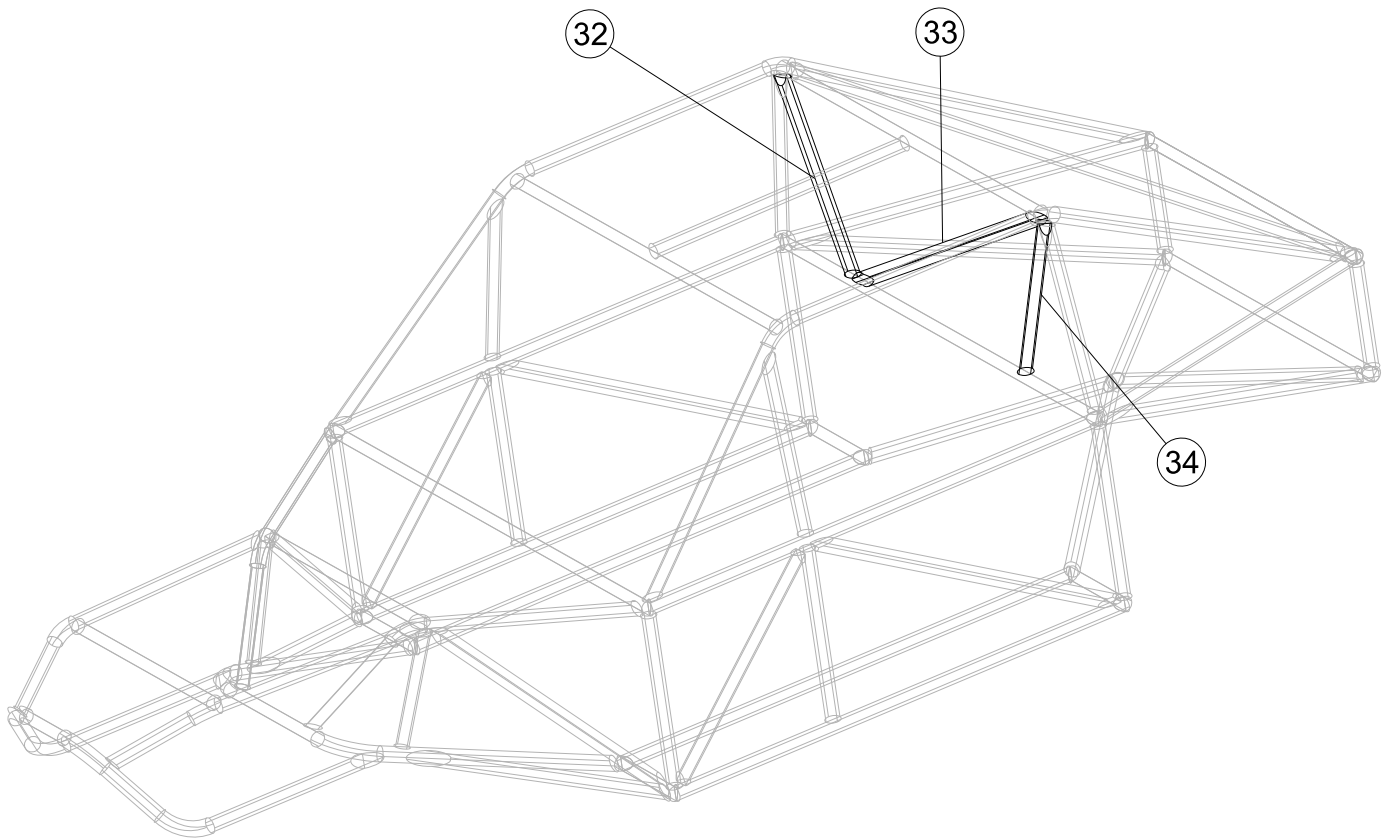
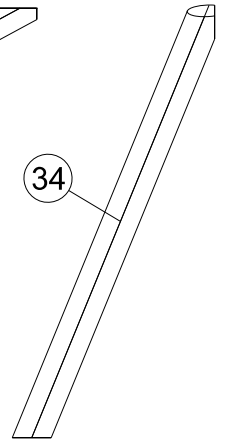
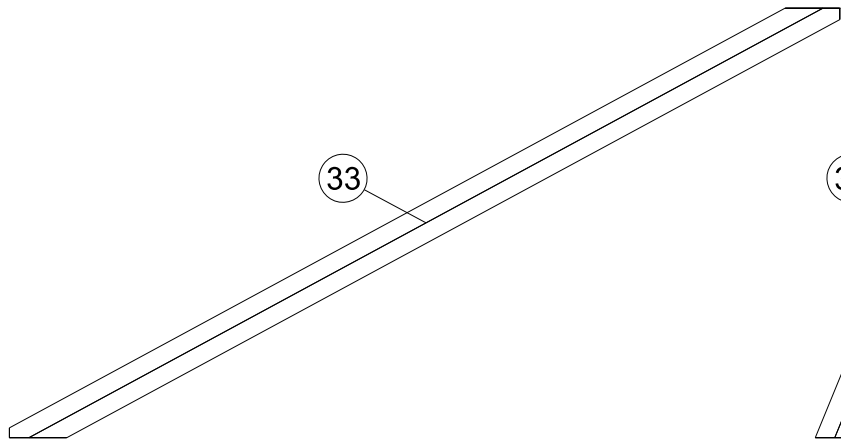
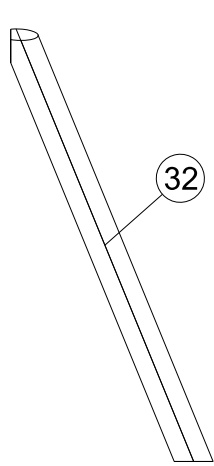


0 1



SCALE
1" = 1"

Project Name Venom Chassis	SIDE BRACING	Figure 16
-------------------------------	--------------	-----------



0 1
SCALE
1" = 1"

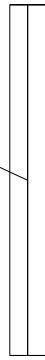
Project Name
Venom Chassis

B PILLAR BRACING

Figure 17

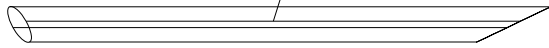
NEED 2

35

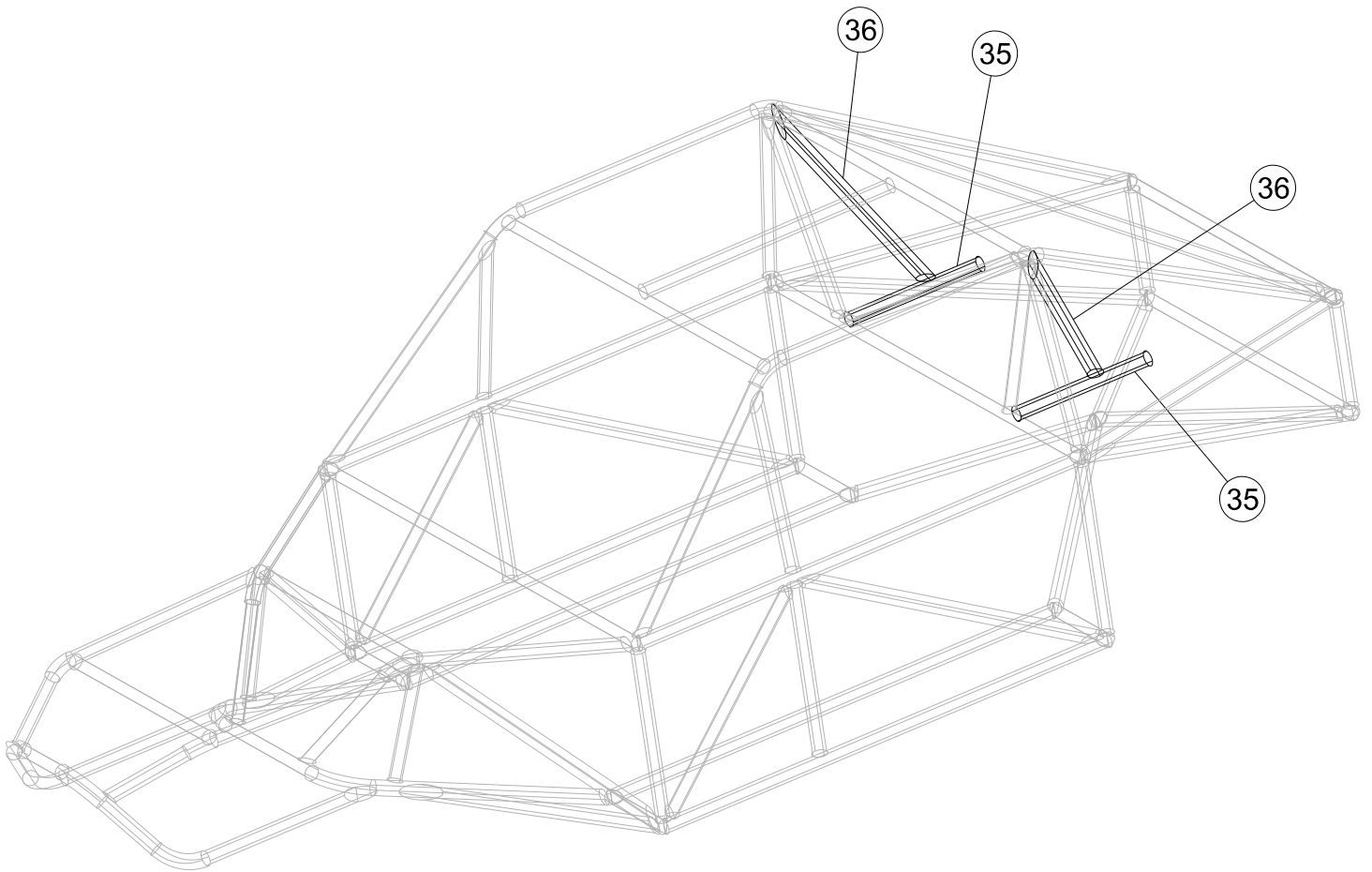
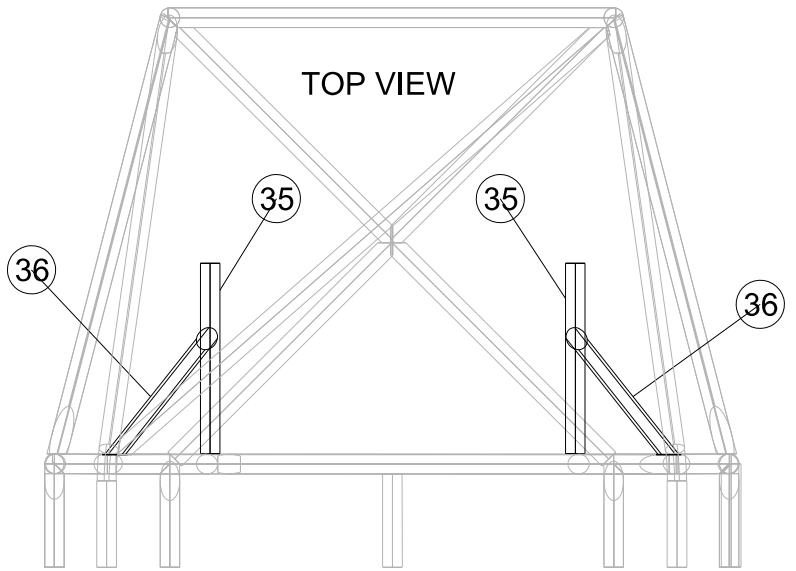


NEED 2

36



TOP VIEW



0 1
SCALE
1" = 1"

Project Name
Venom Chassis

REAR SHOCK
SUPPORT

Figure 18